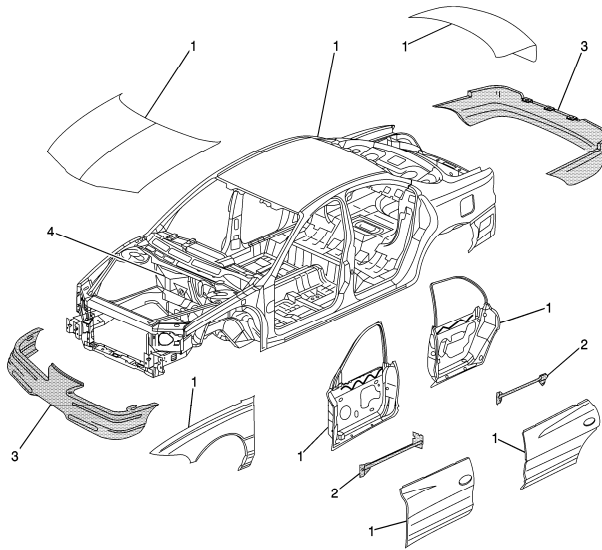


Panel Identification



- (1) Two-Sided Galvanized Steel (TSGS)
- (1) Two-Sided Galvanized Steel (TSGS)
- (1) Two-Sided Galvanized Steel (TSGS)
- (1) Two-Sided Galvanized Steel (TSGS)
- (1) Two-Sided Galvanized Steel (TSGS)
- (1) Two-Sided Galvanized Steel (TSGS)
- (1) Two-Sided Galvanized Steel (TSGS)
- (1) Two-Sided Galvanized Steel (TSGS)
- (2) High-Strength Low-Alloy Steel (HSLA)
- (2) High-Strength Low-Alloy Steel (HSLA)
- (3) Thermoplastic Olefin (TPO)
- (3) Thermoplastic Olefin (TPO)
- (4) Laminated Steel (Front of Dash only)