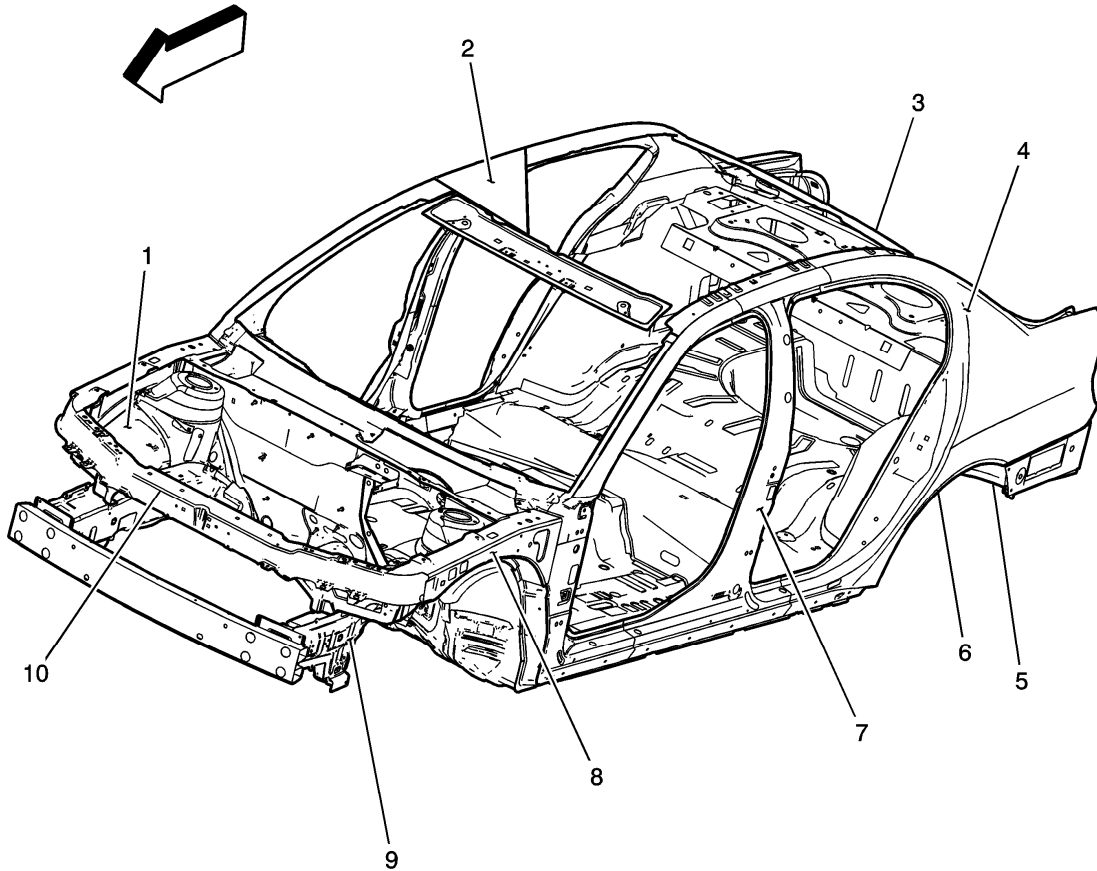


Structure Identification



Number	Description	Material	Procedure
1	Front Wheelhouse	Mild Steel	<ul style="list-style-type: none"> • Front Wheelhouse Replacement • Front Wheelhouse Extension Replacement
2	Roof Outer Panel	Mild Steel	Roof Outer Replacement
3	Rear Floor Panel	Mild Steel	Floor Panel Replacement
4	Body Side Outer	Mild Steel	<ul style="list-style-type: none"> • General Door Frame

			Opening Sectioning <ul style="list-style-type: none"> • Quarter Panel Replacement
5	Rear Rail	High Strength Low Alloy Steel	<ul style="list-style-type: none"> • Rear Rail Replacement • Rear Rail Sectioning
6	Rear Outer Wheelhouse	Mild Steel	Rear Outer Wheelhouse Replacement
7	Center Pillar	Mild Steel	<ul style="list-style-type: none"> • Door Frame Reinforce Sectioning - Center Pillar • Center Pillar Replacement
8	Upper Rail	Mild Steel	Upper Rail Replacement
9	Lower Rail	High Strength Low Alloy Steel	<ul style="list-style-type: none"> • Lower Rail Sectioning • Lower Rail Replacement
10	Radiator Support	High Strength Low Alloy Steel	Radiator Support Replacement

© 2008 General Motors Corporation. All rights reserved.
