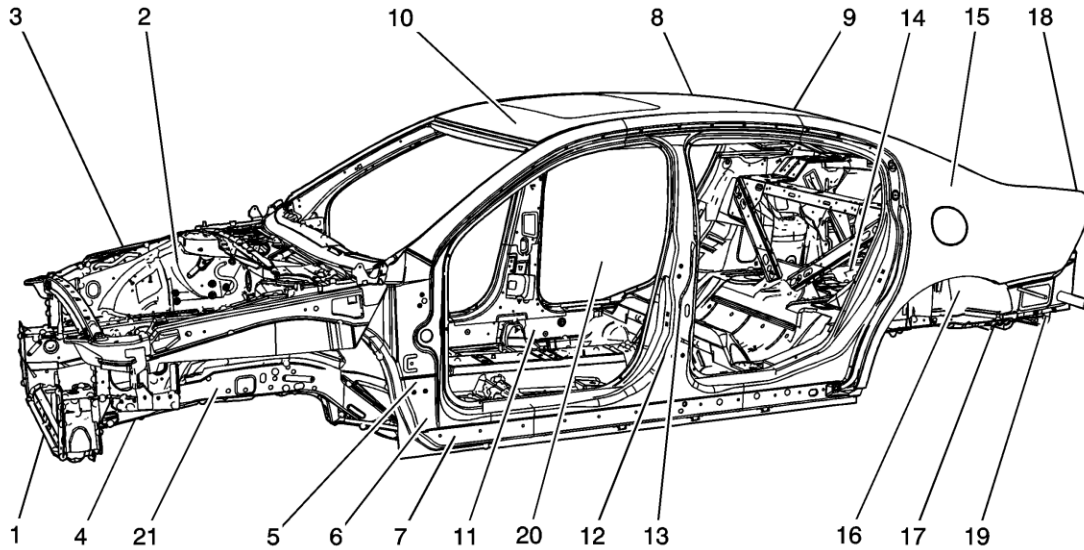


Structure Identification



Number	Description	Material	Procedure
1	Tie Bar Replacement - Lower	Mild Steel	Lower Tie Bar Replacement
2	Wheelhouse Replacement - Front	Mild Steel	Front Wheelhouse Replacement
3	Rail Replacement Front Compartment - Side Upper	Mild Steel	Front Compartment Upper Side Rail Replacement
4	Rail Sectioning Front Compartment - Front	High Strength Low Alloy Steel	Front Compartment Front Rail Sectioning
5	Hinge Pillar Body Replacement - Front Inner	Mild Steel	Front Inner Hinge Pillar Body ReplacementFront

6	Hinge Pillar Body Reinforcement Replacement - Front Inner	Mild Steel	Front Inner Hinge Pillar Sectioning
7	Hinge Pillar Body Sectioning - Front	Mild Steel	Front Hinge Pillar Body Sectioning
8	Roof Panel Replacement - Outer	Mild Steel	Roof Outer Panel Replacement
9	Rear Window Frame Header Panel Replacement - Rear	Mild Steel	Rear Window Frame Header Rear Panel Replacement
10	Windshield Frame Header Panel Replacement - Front	Mild Steel	Windshield Frame Header Front Panel Replacement
11	Rocker Panel Replacement - Inner	High Strength Low Alloy Steel	Rocker Inner Panel Replacement
12	Pillar Lock Front Door Sectioning - Outer	Mild Steel	Body Lock Pillar Outer Panel Sectioning
13	Pillar Lock Front Door Sectioning Replacement - Inner	Mild Steel	Body Lock Pillar Inner Panel Sectioning Replacement
14	Rear Compartment Floor Panel Replacement	Mild Steel	Rear Compartment Floor Panel Replacement
15	Quarter Panel Replacement - Outer	Mild Steel	Quarter Outer Panel Replacement
16	Quarter Panel Replacement - Inner	Mild Steel	Quarter Inner Panel Replacement
17	Rail Replacement Rear Side Underbody	High Strength Low Alloy Steel	Underbody Rear Side Rail Replacement
18	Body Rear End Panel Replacement	Mild Steel	Body Rear End Panel Replacement
19	Rail Sectioning Rear Side Underbody	High Strength Low Alloy Steel	Rail Sectioning Rear Side Underbody
20	Panel Replacement - Door Outer	Mild Steel	Door Outer Panel Replacement
21	Rail Replacement - Lower	High Strength Low Alloy Steel	Lower Rail Replacement