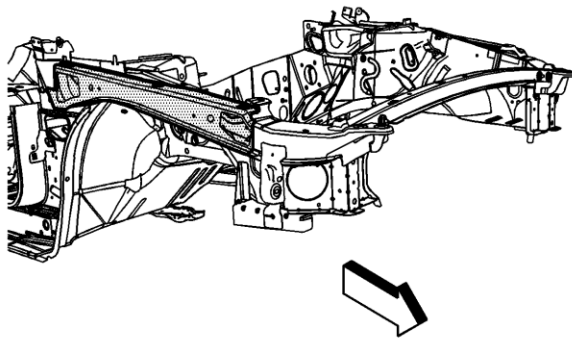

Front Compartment Upper Side Rail Replacement

Removal Procedure

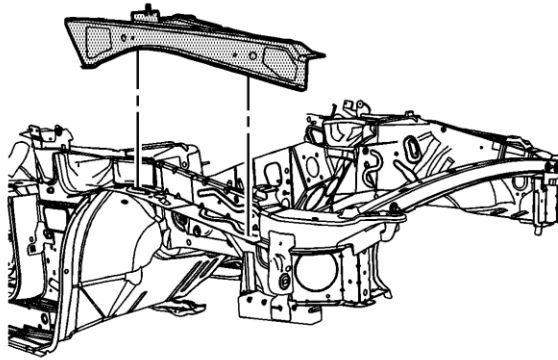
Caution: Refer to [Approved Equipment for Collision Repair Caution](#) in the Preface section.

1. Disable the SIR system. Refer to [SIR Disabling and Enabling](#) .
2. Disconnect the negative battery cable. Refer to Battery Negative Cable Disconnection and Connection .
3. Remove all related panels and components.
4. Repair as much of the damage as possible to factory specifications. Refer to [Dimensions - Body](#) .
5. Remove the sealers and anti-corrosion materials from the repair area. Refer to [Anti-Corrosion Treatment and Repair](#) .



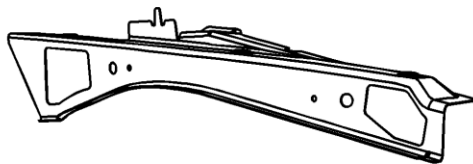
Important: Do not damage any inner panels or reinforcements.

6. Locate and drill out all factory welds. Note the number and location of the welds for installation of the front upper rail.



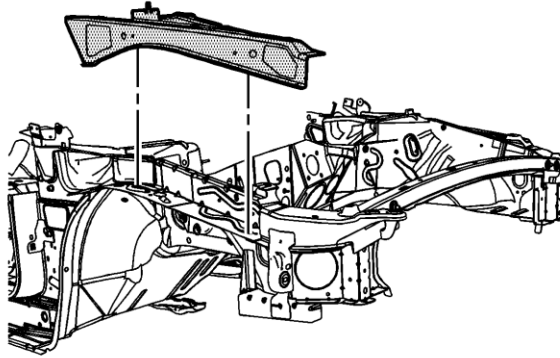
7. Remove the damaged front upper rail.

Installation Procedure

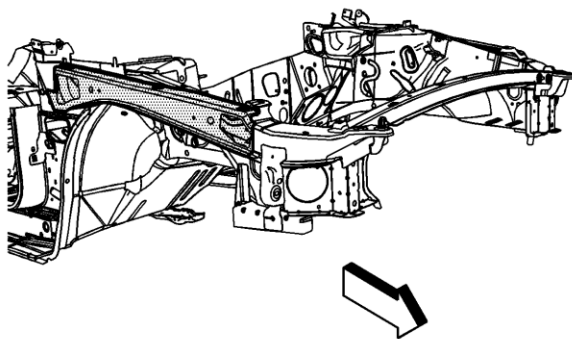


Important: If you cannot determine the location of the original plug weld holes, space the plug weld holes every 40 mm (1½ in) apart.

1. Drill 8 mm (5/16 in) plug weld holes in the service part as necessary in the locations noted from the original panel.
2. Prepare all mating surfaces, as necessary.
3. Apply GM-approved Weld-Thru Coating or equivalent to all mating surfaces. Refer to [Anti-Corrosion Treatment and Repair](#).



4. Position the front upper rail on the vehicle using 3-dimensional measuring equipment. Clamp the rail in place.



5. Plug weld accordingly.
6. Clean and prepare all welded surfaces.
7. Install all related panels and components.
8. Apply the sealers and anti-corrosion materials to the repair area, as necessary. Refer to [Anti-Corrosion Treatment and Repair](#).
9. Paint the repair area. Refer to [Basecoat/Clearcoat Paint Systems](#).

10. Connect the negative battery cable. Refer to [Battery Negative Cable Disconnection and Connection](#) .
11. Enable the SIR system. Refer to [SIR Disabling and Enabling](#) .