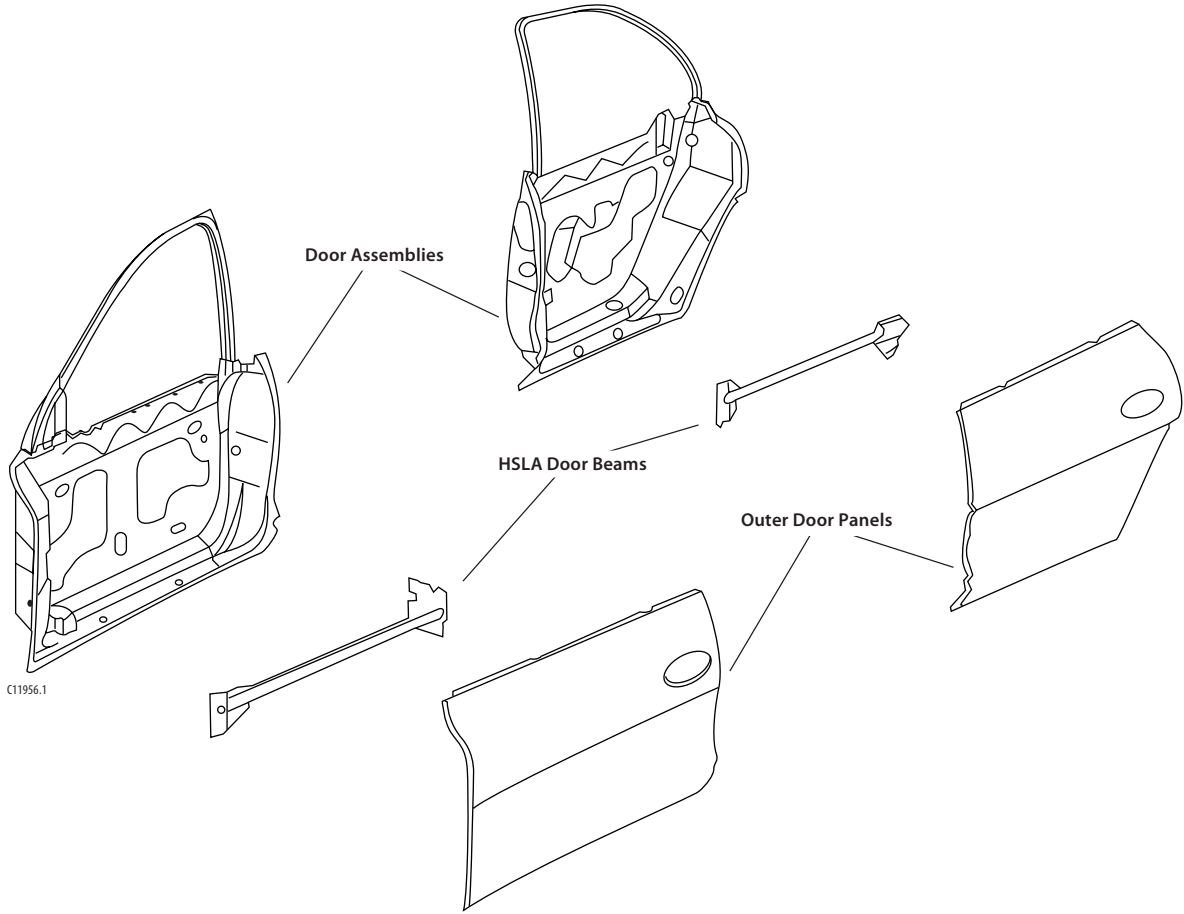


# 6. Door Service

The doors are available as complete assemblies. Additionally, the outer door panels are available separately (figure 6-1). Use conventional service procedures when repairing damage to the doors.

All doors feature bolt-on hinges and an HSLA tubular door beam for added strength and occupant protection in the event of a side collision.

The window regulator is a one-piece module. This provides a more simplified removal and installation procedure when serviced with the door latch. The door glass is designed to snap-in and snap-out with the trim panel removed. (See Section 10 of the Service Manual for detailed service information.)



**Figure 6-1:**  
**Door Service**