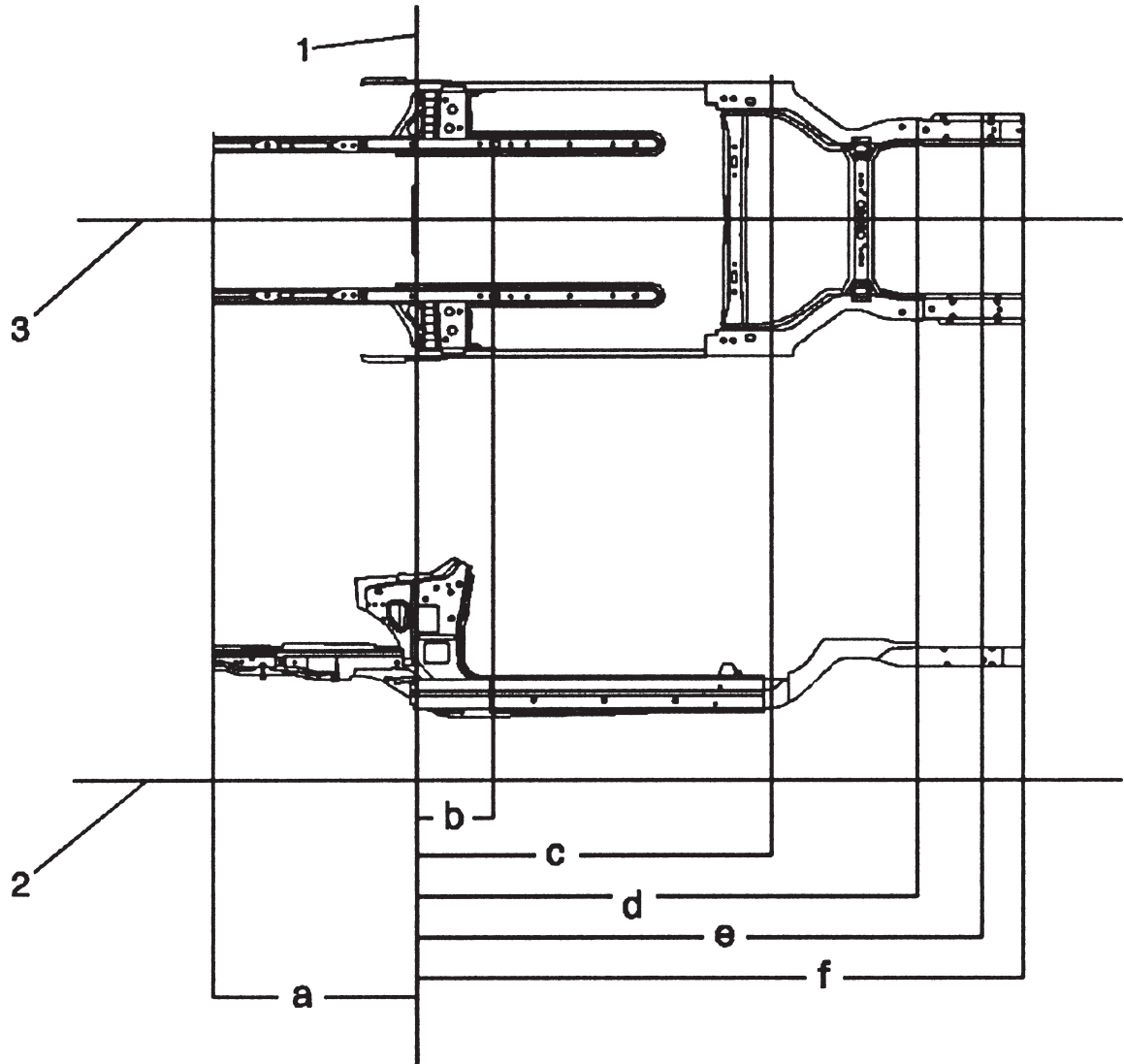


# Underbody Dimensions



LOCATION	DESCRIPTION	LENGTH	WIDTH	HEIGHT
1	Zero line	0	702 mm	965 mm
2	Datum line	0	0	0
3	Center line	0	0	0
a	10 mm bumper mounting	1169 mm	405 mm	579 mm
b	32 mm x 17 mm gage hole	343 mm	408 mm	425 mm
c	56 mm cradle attach	1815 mm	637 mm	425 mm
d	16 mm x 20 mm gage hole	2628 mm	478 mm	645 mm
e	16 mm x 20 mm gage hole	2982 mm	478 mm	649 mm
f	18 mm bumper mounting	3204 mm	478 mm	649 mm

All dimensions are measured from a zero line, a center line and a common datum. All dimensions are symmetrical unless otherwise specified.