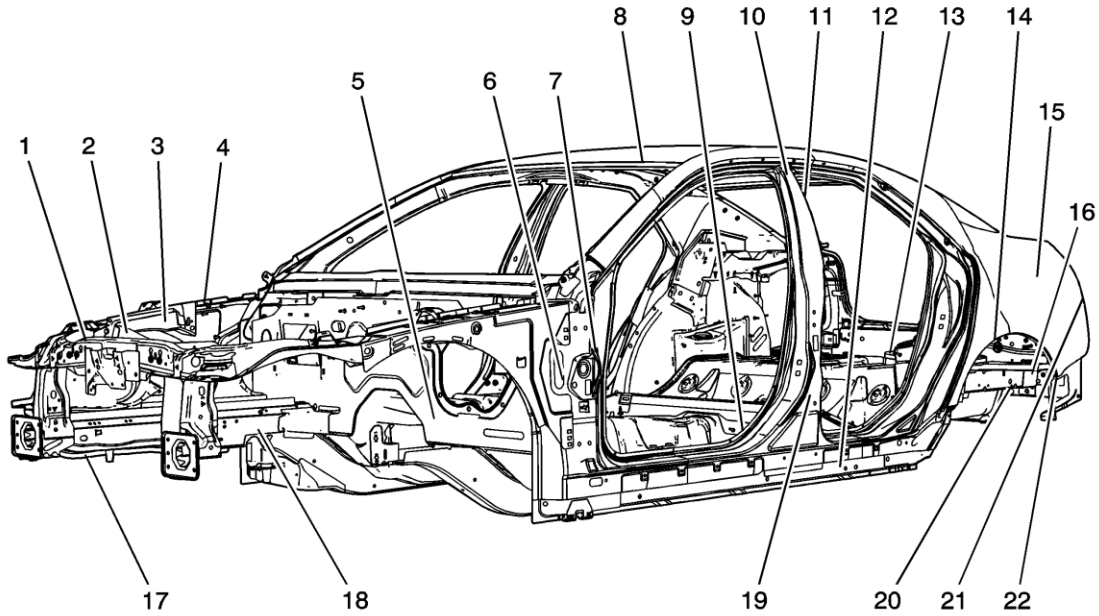


# Structure Identification



<u>Structure Identification (Sedan)</u>  <b>Number</b>	<b>Description</b>	<b>Material</b>	<b>Procedure</b>
1	Tie Bar	Mild Steel	Front End Upper Tie Bar Replacement
2	Front Wheelhouse	Mild Steel	Front Wheelhouse Replacement

3	Front Wheelhouse	Mild Steel	Front Wheelhouse Sectioning
4	Front Compartment Upper Side rail	Mild Steel	Front Compartment Upper Side Rail Replacement
5	Front Compartment Front Rail	High Strength Low Alloy Steel	Front Compartment Front Rail Sectioning
6	Front Inner Hinge Pillar	Mild Steel	Front Inner Hinge Pillar Body Replacement
7	Front Hinge Pillar	Mild Steel	Front Hinge Pillar Body Sectioning
8	Roof Outer Panel	Mild Steel	Roof Outer Panel Replacement
9	Rocker Inner Panel	Ultra High Strength Steel	Rocker Inner Panel Replacement
10	Body Lock Pillar Outer Panel Reinforcement	Mild Steel	Body Lock Pillar Outer Panel Reinforcement Sectioning
11	Body Lock Pillar Inner Panel	Dual Phase Steel	Body Lock Pillar Inner Panel Replacement
12	Rocker Outer Panel	Ultra High Strength Steel	Rocker Outer Panel Replacement
13	Rear Compartment Floor	Mild Steel	Rear Compartment Floor Panel Replacement
14	Rear Outer Wheelhouse	Mild Steel	Rear Outer Wheelhouse Replacement
15	Quarter Outer Panel	Mild Steel	Quarter Outer Panel Replacement
16	Underbody Rear Side Rail	High Strength Low Alloy Steel	Underbody Rear Side Rail Replacement
17	Lower Rail	High Strength Low Alloy Steel	Lower Rail Sectioning
18	Lower Rail	High Strength Low Alloy Steel	Lower Rail Replacement
19	Center Pillar Outer	Mild Steel	Center Pillar

			Sectioning - Outer
20	Rear Rail	<a href="#">High Strength Low Alloy Steel</a>	<a href="#">Rear Rail Replacement</a>
21	Rear End Panel	<a href="#">Mild Steel</a>	<a href="#">Rear End Panel Replacement</a>
22	Wheel Opening	NA	<a href="#">Wheel Opening Flanging</a>