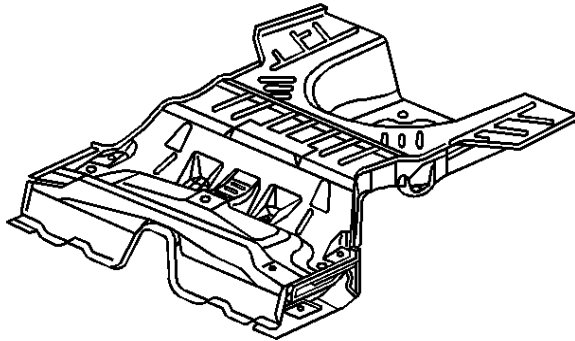


# Rear Compartment Floor Panel Replacement

## Removal Procedure

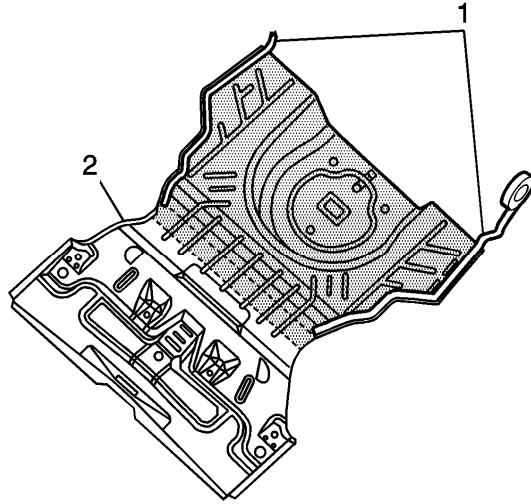
**Caution:** Refer to [Approved Equipment for Collision Repair Caution](#) in the Preface section.

1. Disable the SIR system. Refer to [SIR Disabling and Enabling](#) .
2. Disconnect the negative battery cable. Refer to [Battery Negative Cable Disconnection and Connection](#) .

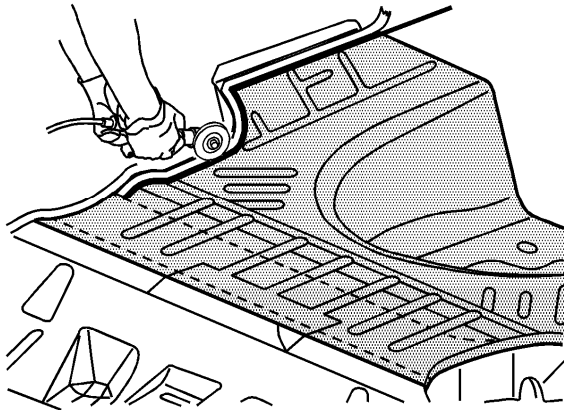


3. Remove all related panels and components.
4. Remove the sealers and anti-corrosion materials from the repair area, as necessary. Refer to [Anti-Corrosion Treatment and Repair](#) .

5. Repair as much of the damage as possible.



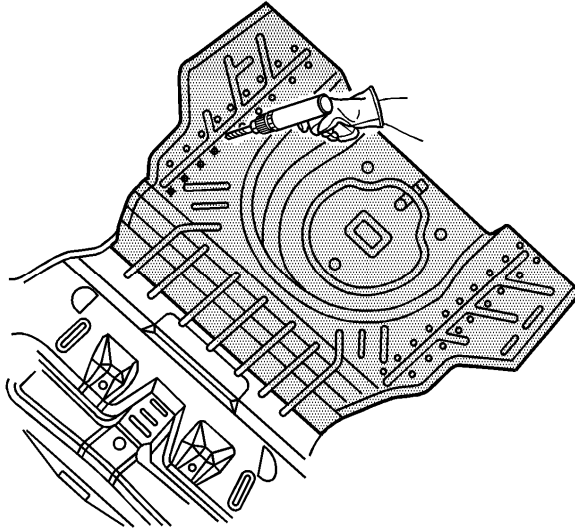
6. Apply a 25 mm (1 in) wide piece of masking tape (1) to the rear compartment panel along the contour of the wheelhouse, from the #5 crossbar to the rear of the compartment panel. Apply the tape on both sides of the rear compartment panel.



7. Cut along the inboard side of the tape to create a weld flange.

**Important:** Do not damage any inner panels or reinforcements.

- Cut the rear compartment panel at the rear edge of the #5 crossbar.

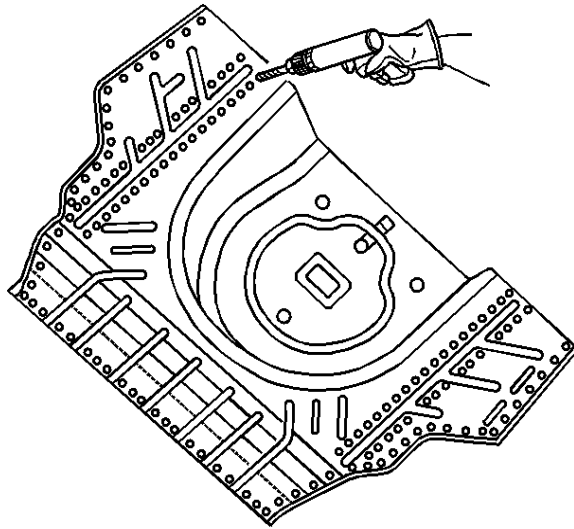


- Locate, mark, and drill out all factory welds. Note the number and location of welds for installation of the service assembly.
- Remove the damaged rear compartment panel from the vehicle.

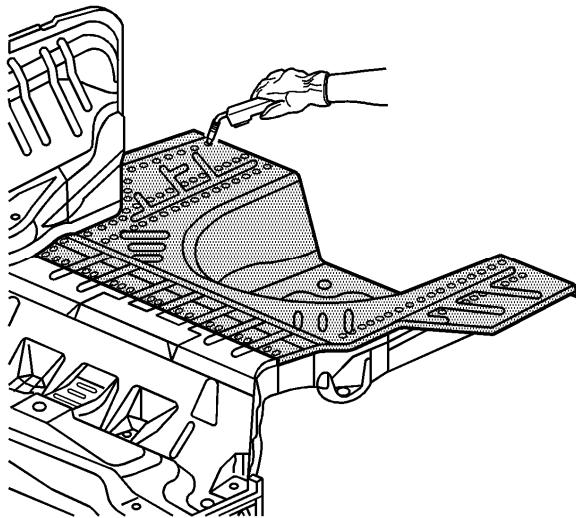
## Installation Procedure

**Important:** This part has structural weld-thru adhesive in the joint areas. Replace this with additional spot welds at the attachment points. This can be accomplished by adding an additional weld between each factory weld in all areas.

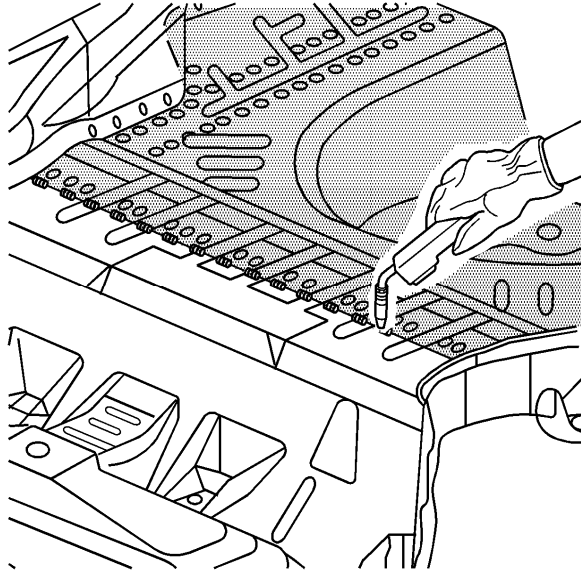
- Prepare the mating surfaces as necessary.
- Apply a 25 mm (1 in) piece of masking tape along the contour of the wheelhouse from the front edge to the rear edge of the rear compartment floor service part on both sides. Cut along the outside of the tape and remove the up-turned flange.
- Drill 8 mm (5/16 in) plug weld holes along the front edge of the service part spaced 40 mm (1 1/2 in) apart.



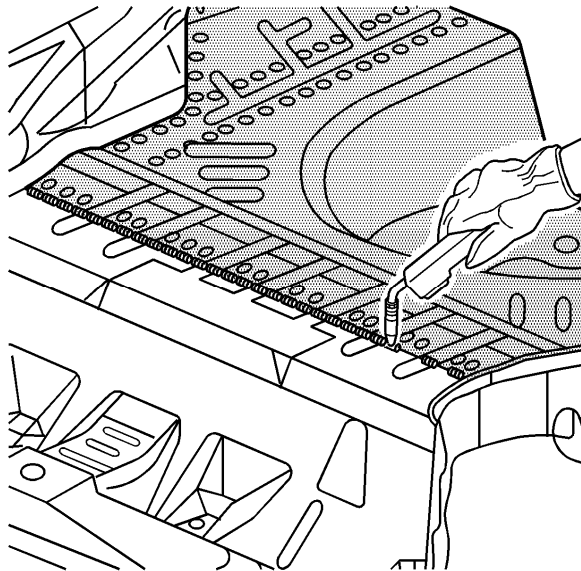
4. Drill 8 mm (5/16 in) plug weld holes in the service part, as necessary, in the locations noted from the original panel.
5. Apply Weld-Thru to all mating surfaces. Refer to [Anti-Corrosion Treatment and Repair](#) .
6. Install and align the service part using 3-dimensional measuring equipment.



7. Plug weld accordingly.



8. To create a solid weld along the front of the service part with a minimum of heat distortion, make a 25 mm (1 in) stitch weld along the seam with 25 mm (1 in) gaps between them.



9. Clean and prepare all welded surfaces.
10. Paint the repaired area. Refer to [Basecoat/Clearcoat Paint Systems](#) .
11. Apply the sealers and anti-corrosion materials to the repair area, as necessary. Refer to [Anti-Corrosion Treatment and Repair](#) .
12. Install all related panels and components.
13. Connect the negative battery cable. Refer to [Battery Negative Cable Disconnection and Connection](#) .
14. Enable the SIR system. Refer to [SIR Disabling and Enabling](#) .

