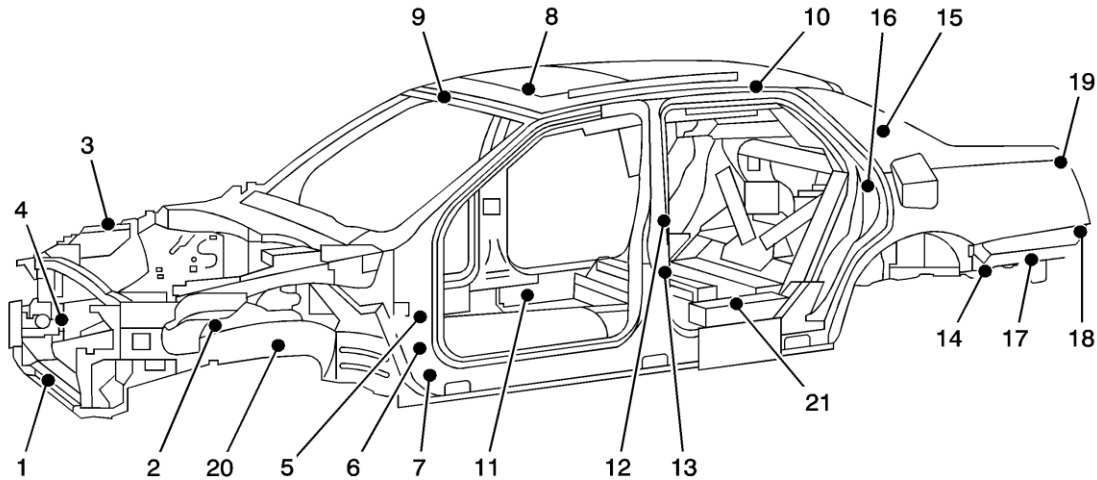


## Structure Identification



| Number | Description   | Material                                      | Procedure   |
|--------|---|---|---|
| 1      | Tie Bar Replacement - Lower                               | <a href="#">Mild Steel</a>                    | <a href="#">Lower Tie Bar Replacement</a> Lower Tie Bar Replacement   |
| 2      | Wheelhouse Replacement - Front                            | <a href="#">Mild Steel</a>                    | <a href="#">Front Wheelhouse Replacement</a> Front Wheelhouse Replacement                                   |
| 3      | Rail Replacement Front Compartment - Side Upper           | <a href="#">Mild Steel</a>                    | <a href="#">Front Compartment Upper Side Rail Replacement</a> Front Compartment Upper Side Rail Replacement |
| 4      | Rail Sectioning Front Compartment - Front                 | <a href="#">High Strength Low Alloy Steel</a> | <a href="#">Front Compartment Front Rail Sectioning</a> Front Compartment Front Rail Sectioning             |
| 5      | Hinge Pillar Body Replacement - Front Inner               | <a href="#">Mild Steel</a>                    | <a href="#">Front Inner Hinge Pillar Body Replacement</a> Front Inner Hinge Pillar Body Replacement         |
| 6      | Hinge Pillar Body Reinforcement Replacement - Front Inner | <a href="#">Mild Steel</a>                    | <a href="#">Front Inner Hinge Pillar Sectioning</a> Front Inner Hinge Pillar Sectioning                     |

|    |   |   |   |
|----|---|---|---|
| 7  | Hinge Pillar Body Sectioning - Front              | <a href="#">Mild Steel</a>                    | <a href="#">Front Hinge Pillar Body Sectioning</a> Front Hinge Pillar Body Sectioning                                   |
| 8  | Roof Panel Replacement - Outer                    | <a href="#">Mild Steel</a>                    | <a href="#">Roof Outer Panel Replacement</a> Roof Outer Panel Replacement   |
| 9  | Windshield Frame Header Panel Replacement - Front | <a href="#">Mild Steel</a>                    | <a href="#">Windshield Frame Header Front Panel Replacement</a> Windshield Frame Header Front Panel Replacement         |
| 10 | Rear Window Frame Header Panel Replacement - Rear | <a href="#">Mild Steel</a>                    | <a href="#">Rear Window Frame Header Rear Panel Replacement</a> Rear Window Frame Header Rear Panel Replacement         |
| 11 | Rocker Panel Replacement - Inner                  | <a href="#">High Strength Low Alloy Steel</a> | <a href="#">Rocker Inner Panel Replacement</a> Rocker Inner Panel Replacement   |
| 12 | Pillar Lock Front Door Sectioning - Outer         | <a href="#">Mild Steel</a>                    | <a href="#">Body Lock Pillar Outer Panel Sectioning</a> Body Lock Pillar Outer Panel Sectioning                         |
| 13 | Pillar Lock Front Door Replacement - Inner        | <a href="#">Mild Steel</a>                    | <a href="#">Body Lock Pillar Inner Panel Sectioning Replacement</a> Body Lock Pillar Inner Panel Sectioning Replacement |
| 14 | Rear Compartment Floor Panel Replacement          | <a href="#">Mild Steel</a>                    | <a href="#">Rear Compartment Floor Panel Replacement</a> Rear Compartment Floor Panel Replacement                       |
| 15 | Quarter Panel Replacement - Outer                 | <a href="#">Mild Steel</a>                    | <a href="#">Quarter Outer Panel Replacement</a> Quarter Outer Panel Replacement   |
| 16 | Quarter Panel Replacement - Inner                 | <a href="#">Mild Steel</a>                    | <a href="#">Quarter Inner Panel Replacement</a> Quarter Inner Panel Replacement   |
| 17 | Rail Replacement Rear Side Underbody              | <a href="#">High Strength Low Alloy Steel</a> | <a href="#">Underbody Rear Side Rail Replacement</a> Underbody Rear Side Rail Replacement                               |
| 18 | Rail Sectioning Rear Side Underbody               | <a href="#">High Strength Low Alloy Steel</a> | <a href="#">Rail Sectioning Rear Side Underbody</a> Rail Sectioning Rear Side Underbody                                 |
| 19 | Body Rear End Panel Replacement                   | <a href="#">Mild Steel</a>                    | <a href="#">Body Rear End Panel Replacement</a> Body Rear End Panel Replacement   |
| 20 | Rail Replacement - Lower                          | <a href="#">High Strength Low Alloy</a>       | <a href="#">Lower Rail Replacement</a> Lower Rail Replacement   |

|    |                                   |                            |   |
|----|-----------------------------------|----------------------------|---|
|    |                                   | Steel                      |   |
| 21 | Panel Replacement -<br>Door Outer | <a href="#">Mild Steel</a> | <a href="#">Door Outer Panel Replacement</a> Door Outer Panel Replacement |

© 2008 General Motors Corporation. All rights reserved.