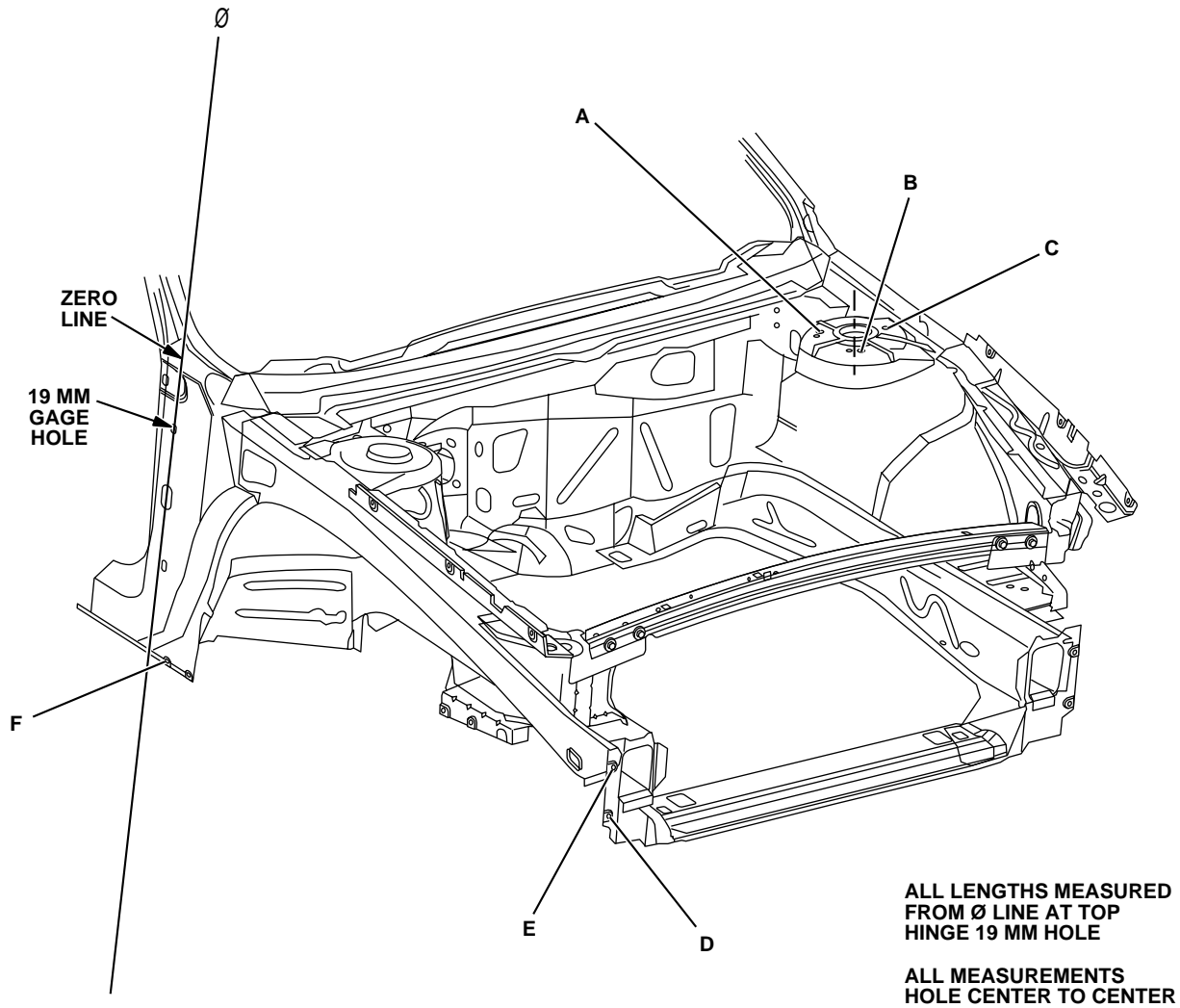


Engine Compartment Dimensions – 2000 Cadillac DeVille



Description	Location	Length	Width	Height
Strut mount hole	A	367	565	1014
Strut mount hole	B	509	575	1029
Strut mount hole	C	437	693	1027
Bumper mount hole	D	1273	603	520
Bumper mount hole	E	1273	605	640
Fender mount hole	F	12	774	368

All dimensions are measured in millimeters, from a zero line, center line, and a common datum. All dimensions are symmetrical, unless otherwise specified.