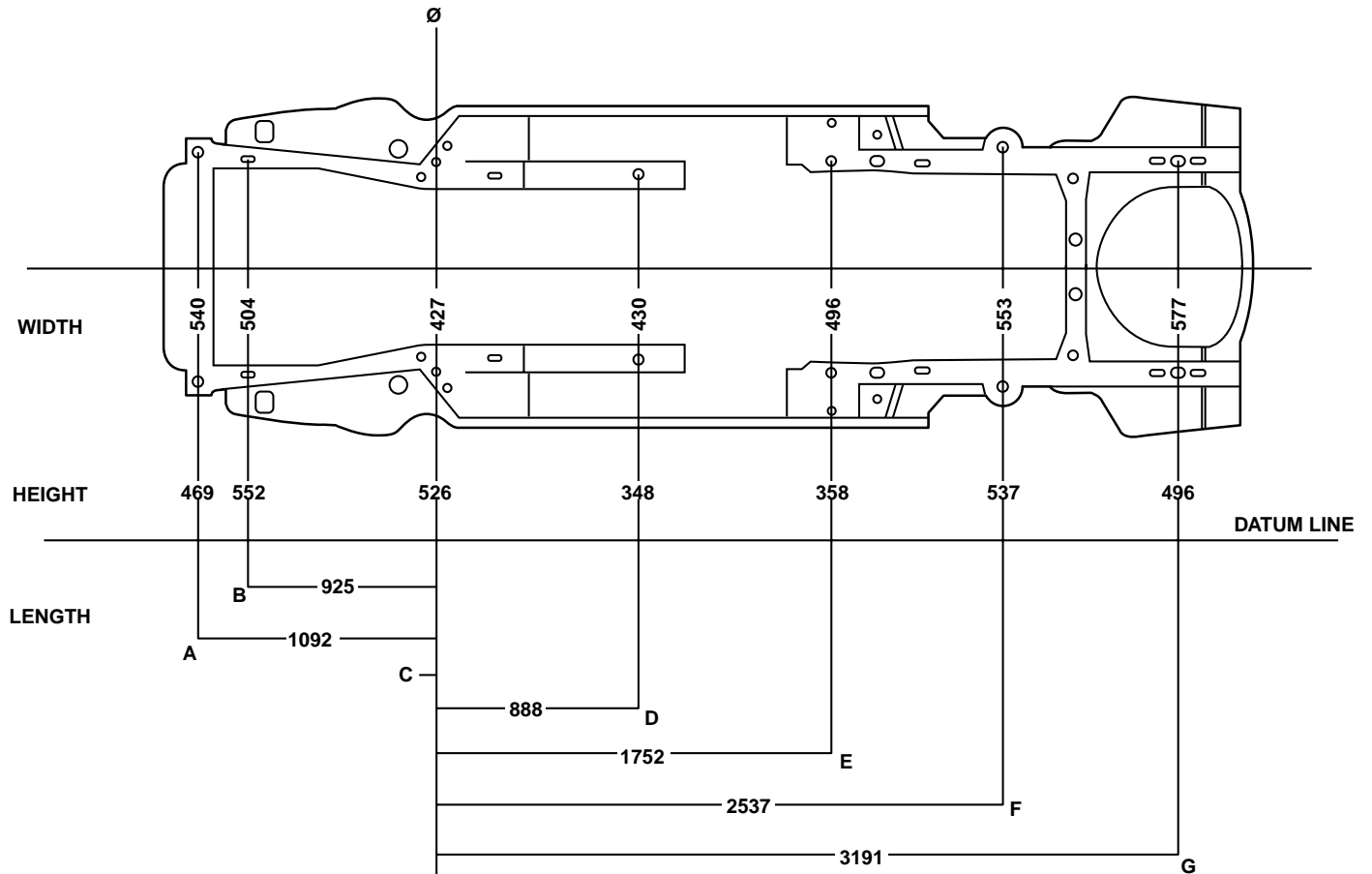


Underbody Dimensions – 2000 Cadillac DeVille



| Description | Location | Length | Width | Height |
|-------------------------|----------|--------|-------|--------|
| 28 mm mounting nut | A | 1092 | 540 | 469 |
| 19 mm x 25 mm gage slot | B | 925 | 504 | 552 |
| 16 mm gage hole | C | 0 | 427 | 526 |
| 19 mm gage hole | D | 888 | 430 | 348 |
| 23 mm gage hole | E | 1752 | 496 | 358 |
| Top spring mounting pad | F | 2537 | 553 | 537 |
| 19 mm x 25 mm gage hole | G | 3191 | 577 | 496 |

All dimensions are measured in millimeters, from a zero line, center line, and a common datum. All dimensions are symmetrical, unless otherwise specified.