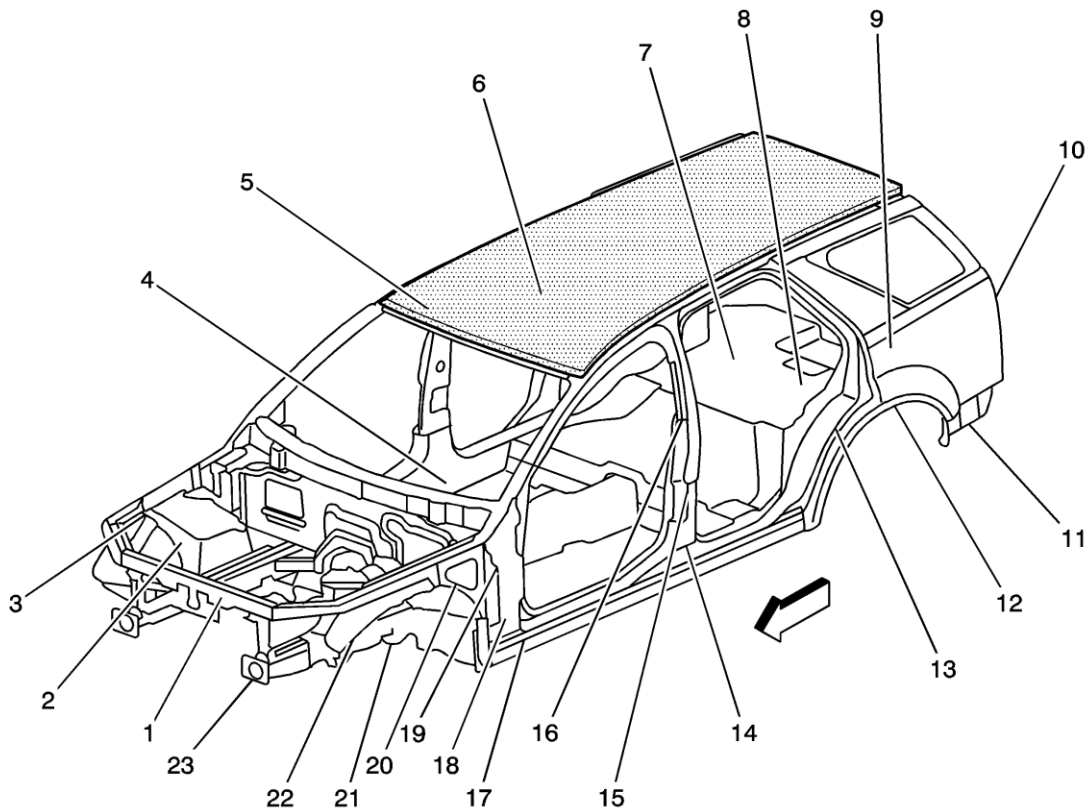


Structure Identification



Number	Description	Material	Procedure
1	Tie Bar	Mild Steel	Front End Upper Tie Bar Replacement
2	Front Wheelhouse	Mild Steel	Front Wheelhouse Replacement
3	Front Compartment Upper Side Rail	Mild Steel	Front Compartment Upper Side Rail Replacement
4	Rocker Inner Panel	Ultra High Strength Steel	Rocker Inner Panel Replacement
5	Windshield Frame Header Front Panel	Mild Steel	Windshield Frame Header Front Panel Replacement

6	Roof Outer	Mild Steel	Roof Outer Replacement
7	Rear Compartment Panel	Mild Steel	Rear Compartment Panel Replacement
8	Rear Compartment Panel	Mild Steel	Rear Compartment Panel Sectioning
9	Quarter Panel	Mild Steel	Quarter Panel Replacement
10	Rear End Panel	Mild Steel	Rear End Panel Replacement
11	Underbody Rear Side Rail	High Strength Low Alloy Steel	Underbody Rear Side Rail Replacement
12	Rear Rail	High Strength Low Alloy Steel	Rear Rail Replacement
13	Rear Wheelhouse	Mild Steel	Rear Wheelhouse Replacement
14	Center Pillar	Mild Steel	Center Pillar Sectioning - Outer
15	Center Pillar	Mild Steel	Center Pillar Sectioning - Inner
16	Center Pillar Reinforcement	Mild Steel	Center Reinforcement Pillar Replacement
17	Front Inner Hinge Pillar	Mild Steel	Front Inner Hinge Pillar Reinforcement Sectioning
18	Front Hinge Pillar	Mild Steel	Front Hinge Pillar Sectioning
19	Front Inner Hinge Pillar	Mild Steel	Front Inner Hinge Pillar Body Replacement
20	Upper Rail	Mild Steel	Upper Rail Replacement
21	Lower Rail	High Strength Low Alloy Steel	Lower Rail Replacement
22	Lower Rail	High Strength Low Alloy Steel	Lower Rail Sectioning
23	Front Compartment Front Rail	High Strength Low Alloy Steel	Front Compartment Front Rail Sectioning