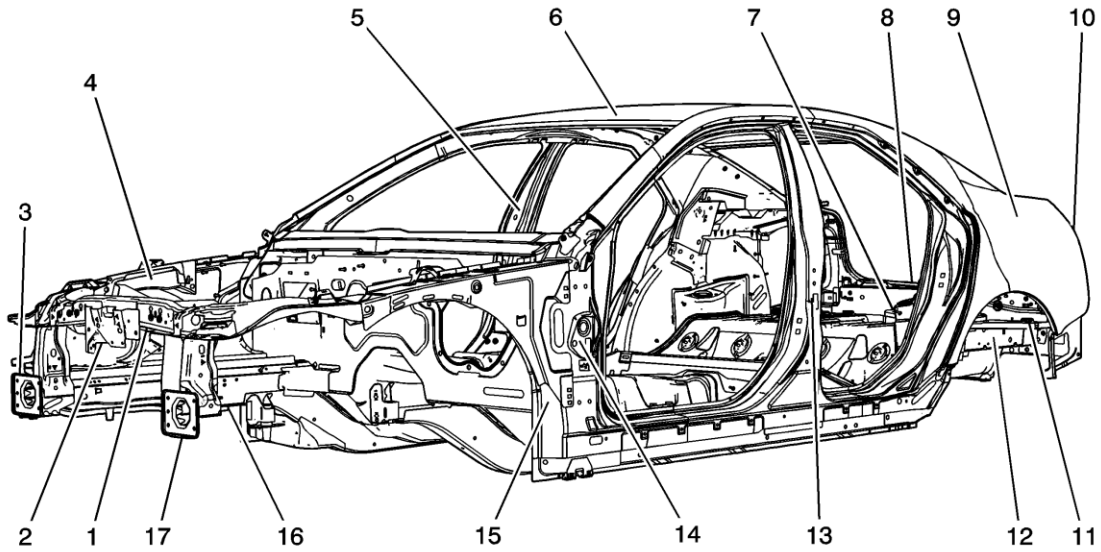


Structure Identification



<u>Structure Identification (Sedan)</u> Number	Description	Material	Procedure
1	Tie Bar	Mild Steel	Tie bar replacement
2	Front Wheelhouse	Mild Steel	Front Wheelhouse Replacement
3	Front Compartment	High Strength	Front Compartment

	Front Rail	Low Alloy Steel	Front Rail Sectioning
4	Upper Side Rail Front Compartment	Mild Steel	Upper Rail Replacement
5	Center Pillar	Dual Phase Steel	Center Reinforcement Pillar Replacement
6	Roof	Mild Steel	Roof Outer Replacement
7	Rear Compartment	Mild Steel	Rear Compartment Panel Replacement
8	Rear Compartment	Mild Steel	Rear Compartment Panel Sectioning
9	Quarter Panel	Mild Steel	Quarter Panel Replacement
10	Rear End Panel	Mild Steel	Rear End Panel Replacement
11	Rear Wheel House	Mild Steel	Rear Wheelhouse Replacement
12	Rear Rail	High Strength Low Alloy Steel	Rear Rail Replacement
13	Center Pillar	Mild Steel	Center Pillar Sectioning - Outer
14	Hinge Pillar	Mild Steel	Front Hinge Pillar Sectioning
15	Inner Hinge Pillar	Mild Steel	Front Inner Hinge Pillar Body Replacement
16	Lower Rail Replacement	High Strength Low Alloy Steel	Lower Rail Replacement
17	Lower Rail Sectioning	High Strength Low Alloy Steel	Lower Rail Sectioning
18	Door Panel	Mild Steel	Door Outer Panel Replacement