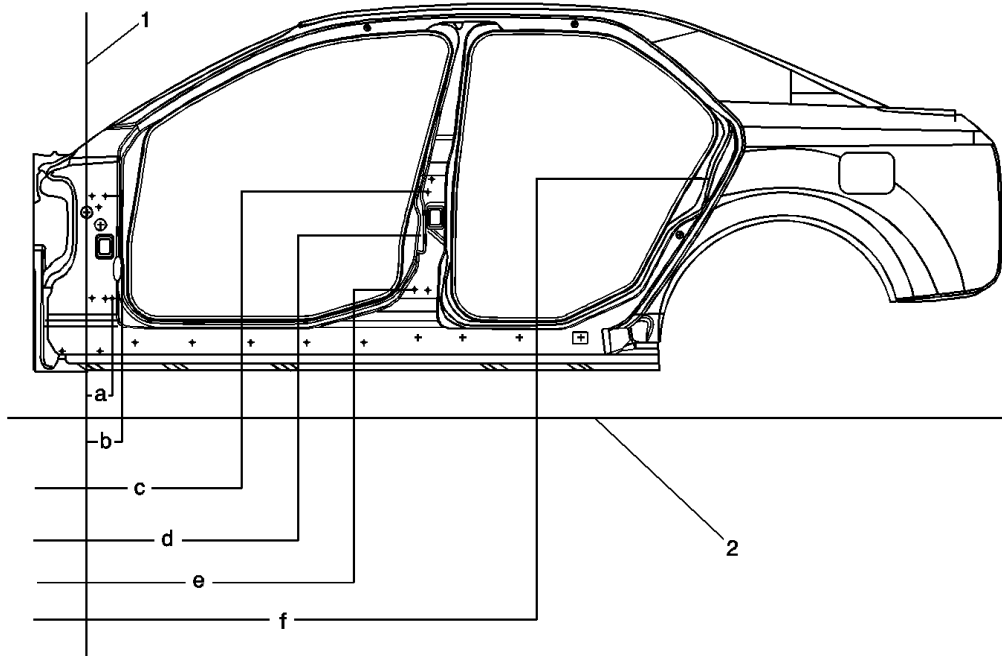


# Dimensions - Body

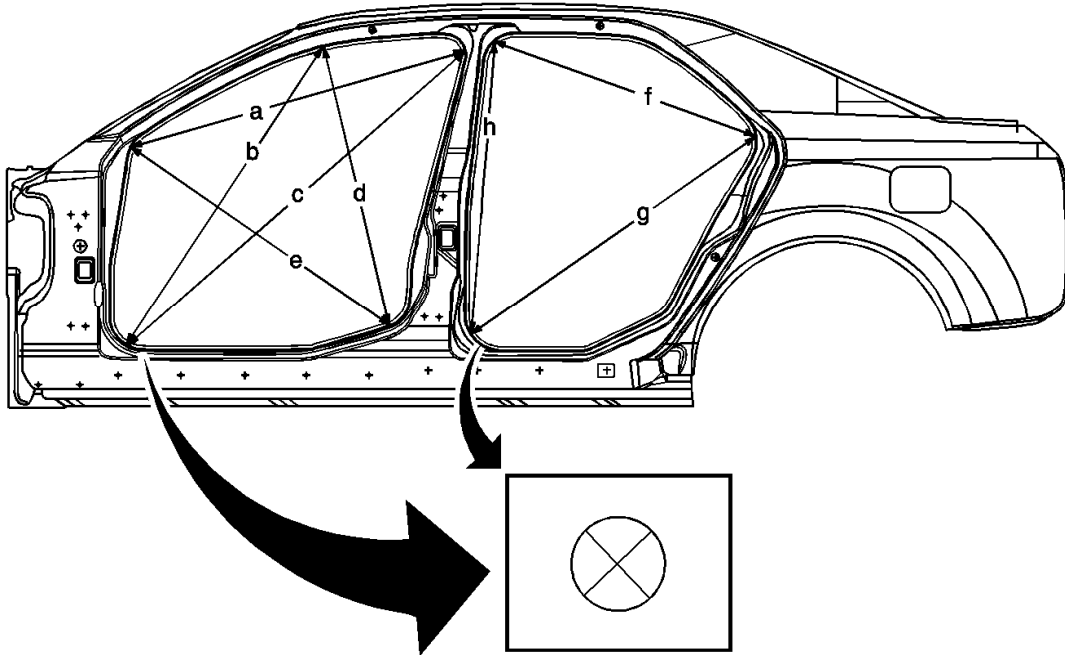
## Body Side



<b><u>Body Side</u></b>				
<b>Location</b>	<b>Description</b>	<b>Length</b>	<b>Width</b>	<b>Height</b>
1	Zero Line 19 mm Gage Hole	0	702 mm	965 mm
2	Datum Line	0	0	0
a	Door Hinge Attach	140 mm	814 mm	612 mm
b	Door Hinge Attach	140 mm	806 mm	955 mm
c	Door Hinge Attach	1217 mm	819 mm	975 mm
d	Upper Door Lock Striker Attach	1185 mm	78 mm	834 mm
e	Door Hinge Attach	1169 mm	819 mm	645 mm
f	Upper Door Lock Striker Attach	2157 mm	781 mm	1022 mm

All dimensions are measured from a zero line, a center line, and a common datum. All dimensions are symmetrical unless otherwise specified.

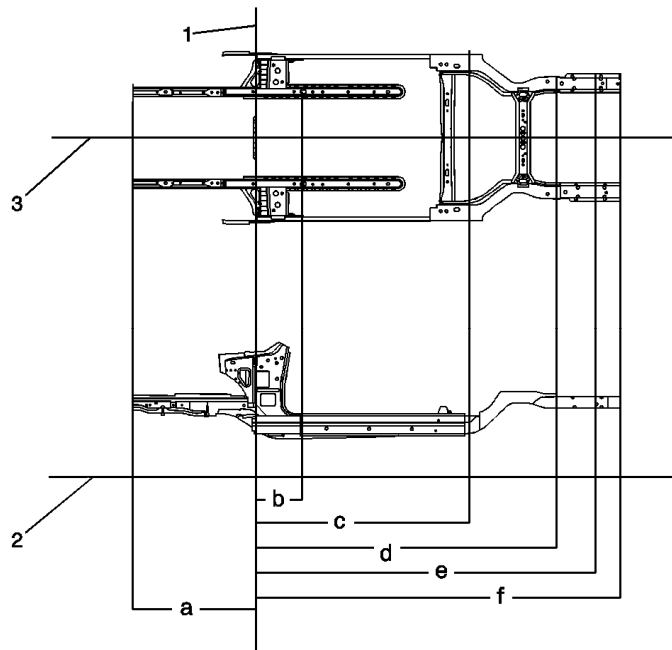
## Door Opening



<u>Door Opening</u>	
Location	Length
a	1053 mm
b	1082 mm
c	1365 mm
d	875 mm
e	943 mm
f	845 mm
g	1042 mm
h	898 mm

All dimensions are measured from a zero line, a center line, and a common datum. All dimensions are symmetrical unless otherwise specified.

## Underbody



<u>Underbody</u>				
Location	Description	Length	Width	Height
1	Zero Line 19 mm Hole	0	702 mm	965 mm
2	Datum Line	0	0	0
3	Center Line	0	702 mm	965 mm
a	10 mm Bumper Mounting	1169 mm	405 mm	579 mm
b	32 mm x 17 mm Gage Hole	343 mm	408 mm	425 mm
c	56 mm Cradle Attach	1815 mm	637 mm	425 mm
d	16 mm x 20 mm Gage Hole	2628 mm	478 mm	645 mm
e	16 mm x 20 mm Gage Hole	2982 mm	478 mm	649 mm
f	18 mm Bumper Mounting	3204 mm	478 mm	649 mm

All dimensions are measured from a zero line, a center line, and a common datum. All dimensions are symmetrical unless otherwise specified.