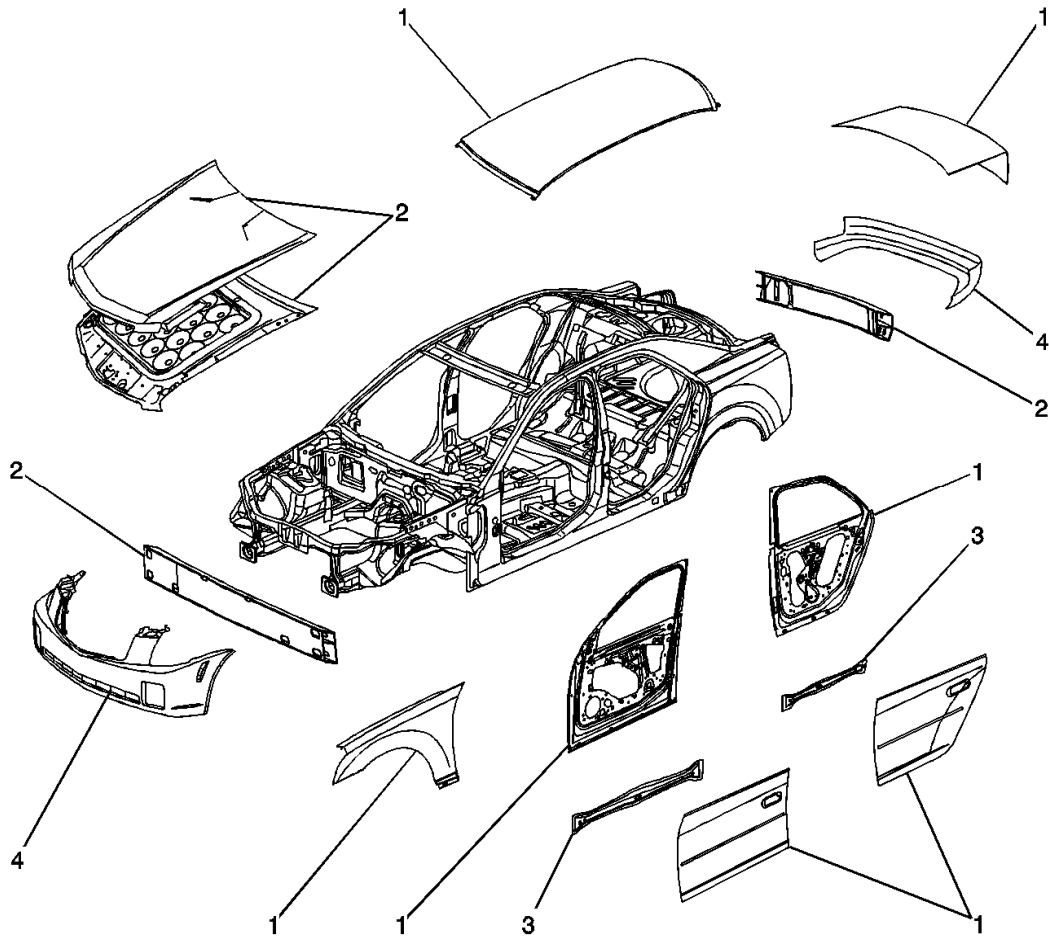


Panel Identification



- (1) Two Sided Galvanized Steel
- (2) Aluminum
- (3) High Strength Steel
- (4) Thermoplastic Olefin (TPO)