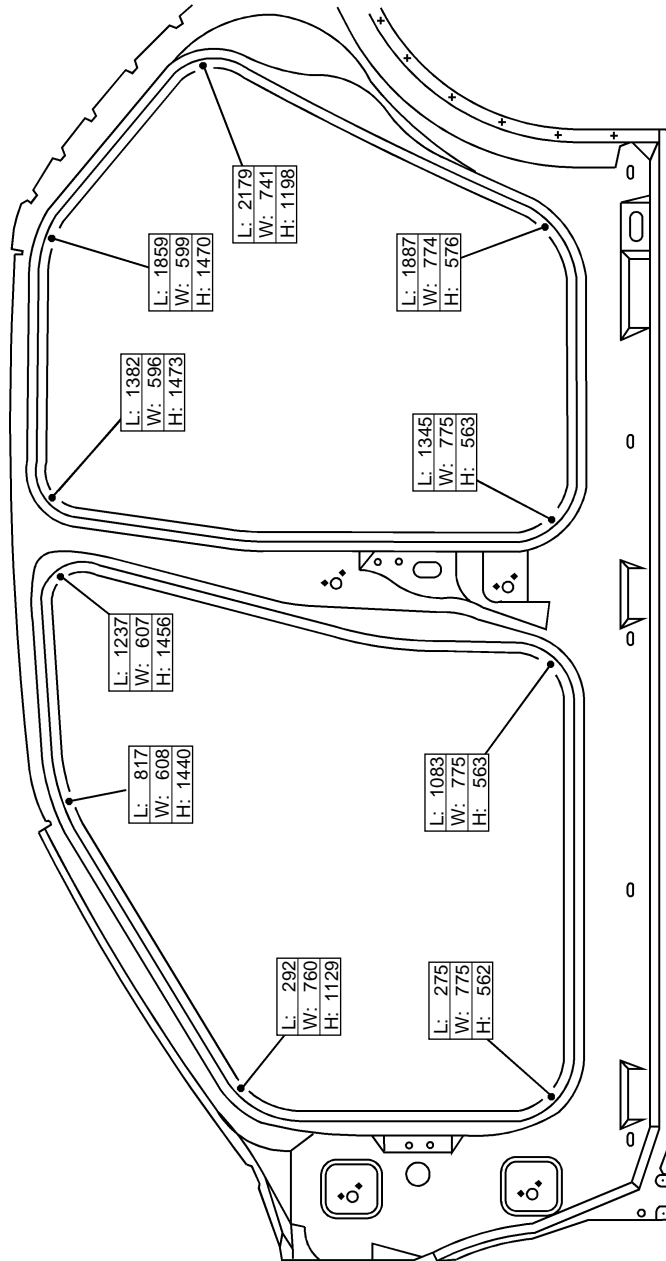


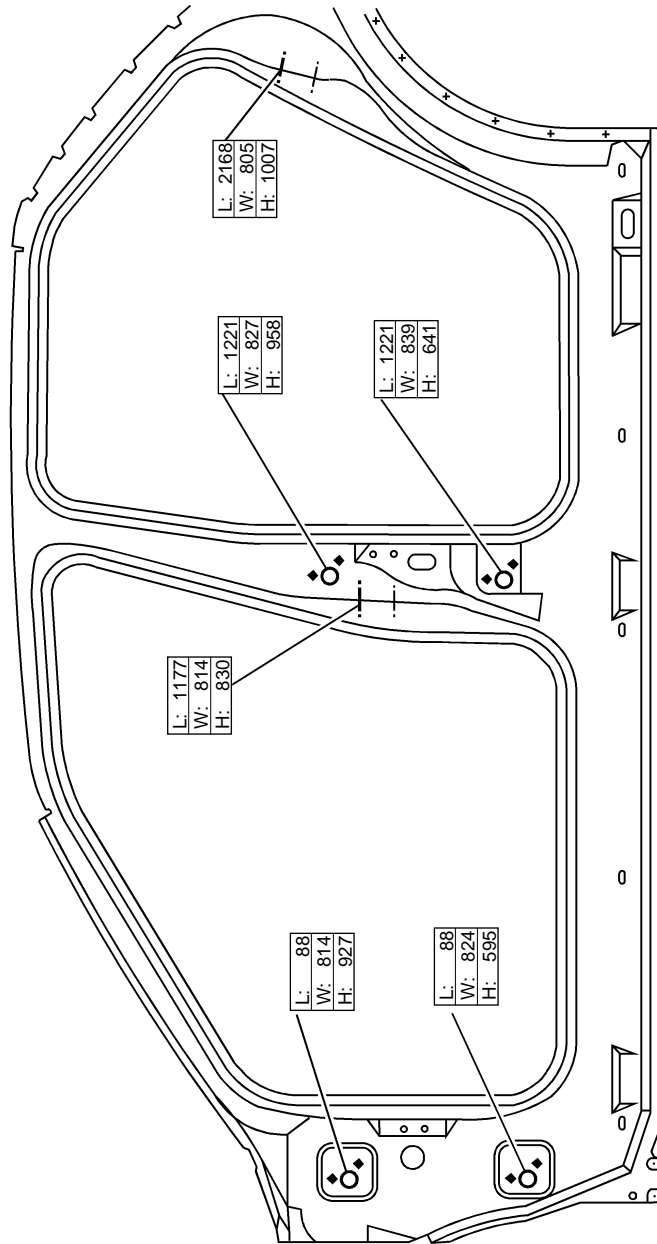
# Body Dimensions

## Side Door Frame Marks



ALL DIMENSIONS ARE MEASURED FROM A ZERO LINE, CENTER LINE, AND A COMMON DATUM.  
ALL DIMENSIONS ARE SYMMETRICAL UNLESS OTHERWISE SPECIFIED.

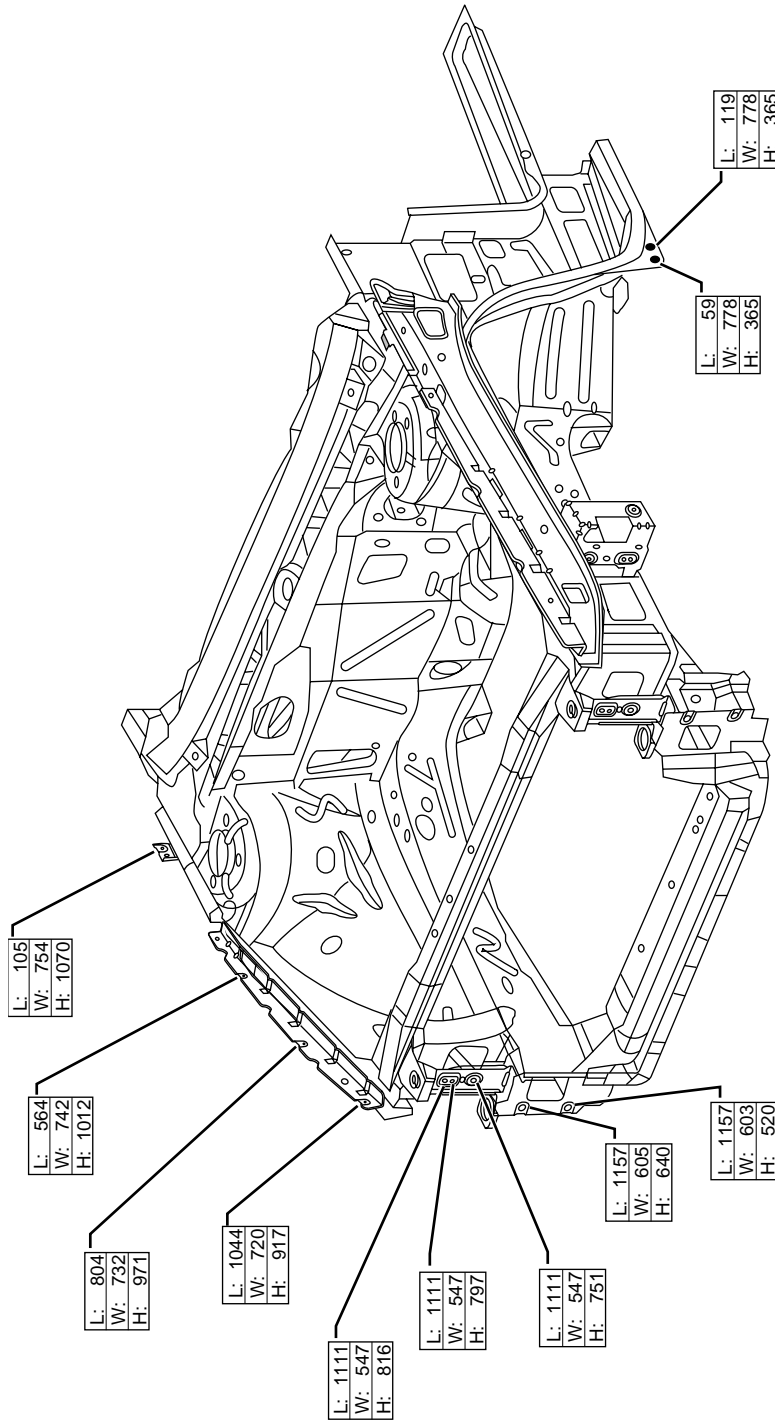
Side Door Frame Dimensions



ALL DIMENSIONS ARE MEASURED FROM A ZERO LINE, CENTER LINE, AND A COMMON DATUM. ALL DIMENSIONS ARE SYMMETRICAL UNLESS OTHERWISE SPECIFIED.

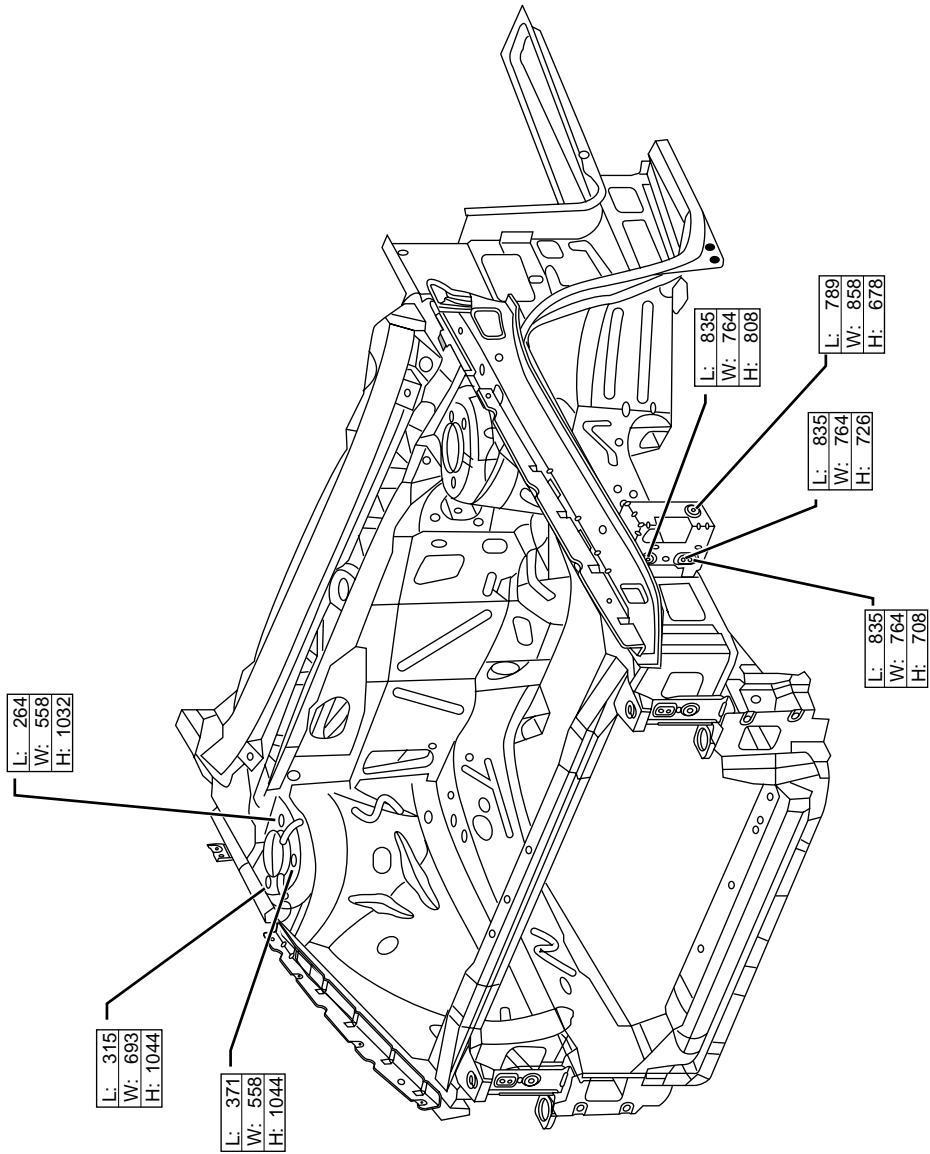
Body Dimensions

Engine Compartment



ALL DIMENSIONS ARE MEASURED FROM A ZERO LINE,  
CENTER LINE, AND A COMMON DATUM.  
ALL DIMENSIONS ARE SYMMETRICAL UNLESS OTHERWISE SPECIFIED.

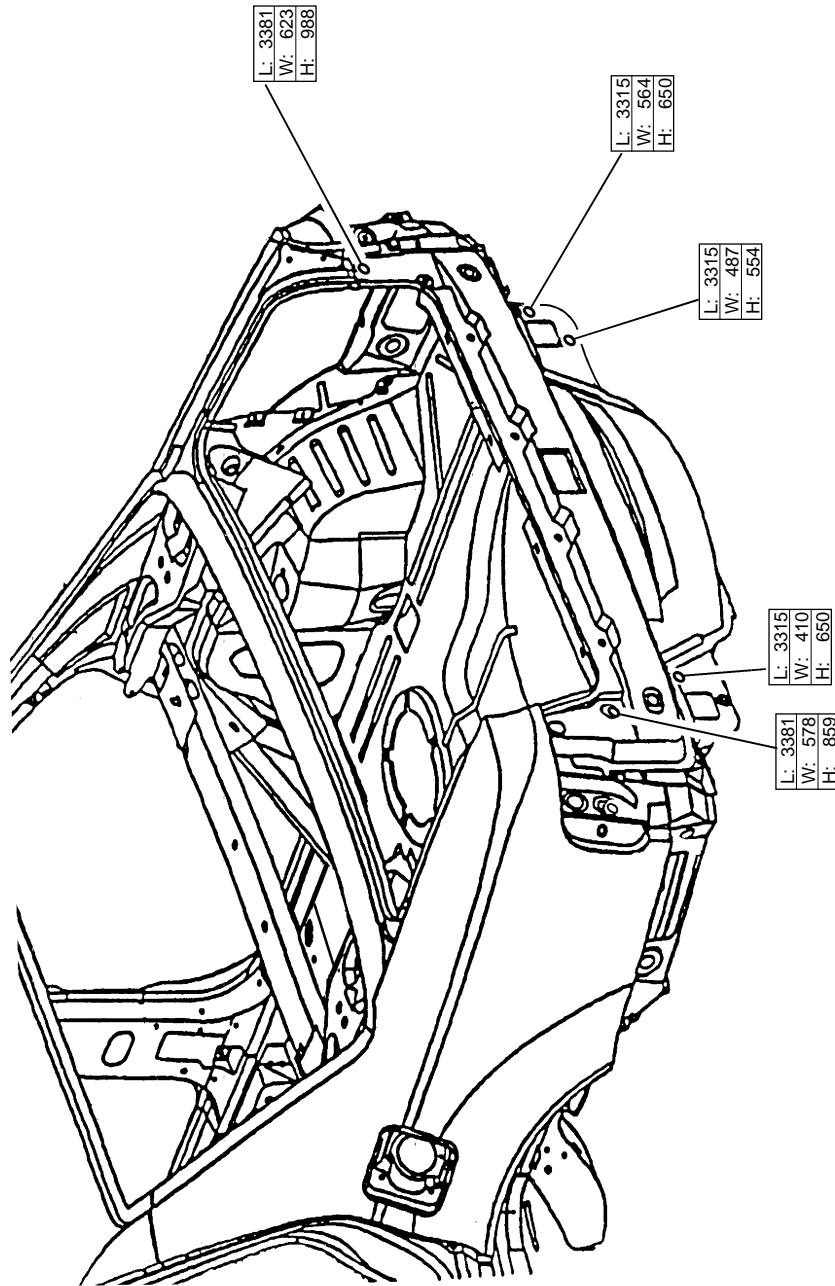
Engine Compartment



ALL DIMENSIONS ARE MEASURED FROM A ZERO LINE,  
CENTER LINE, AND A COMMON DATUM.  
ALL DIMENSIONS ARE SYMMETRICAL UNLESS OTHERWISE SPECIFIED.

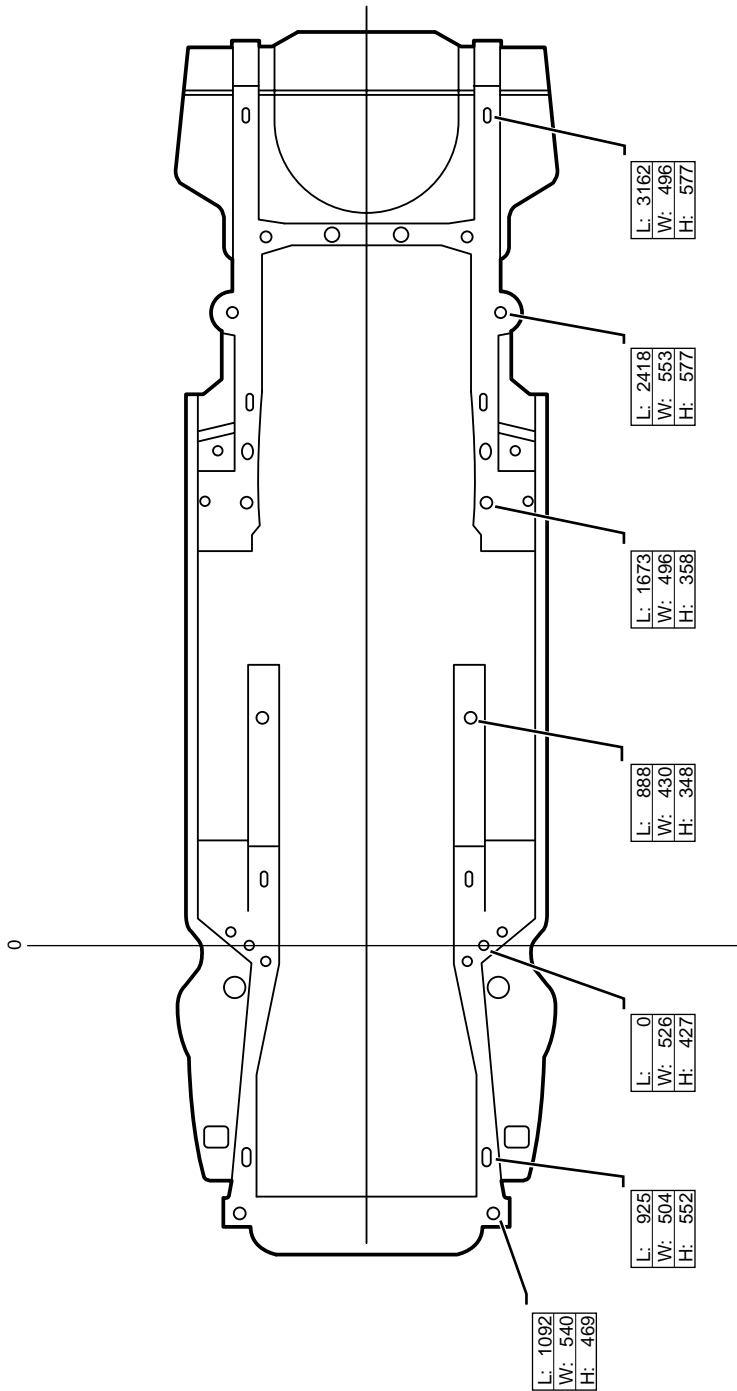
## Body Dimensions

### Tail Panel



ALL DIMENSIONS ARE MEASURED FROM A ZERO LINE,  
CENTER LINE, AND A COMMON DATUM.  
ALL DIMENSIONS ARE SYMMETRICAL UNLESS OTHERWISE SPECIFIED.

Underbody



ALL DIMENSIONS ARE MEASURED FROM A ZERO LINE, CENTER LINE, AND A COMMON DATUM. ALL DIMENSIONS ARE SYMMETRICAL UNLESS OTHERWISE SPECIFIED.