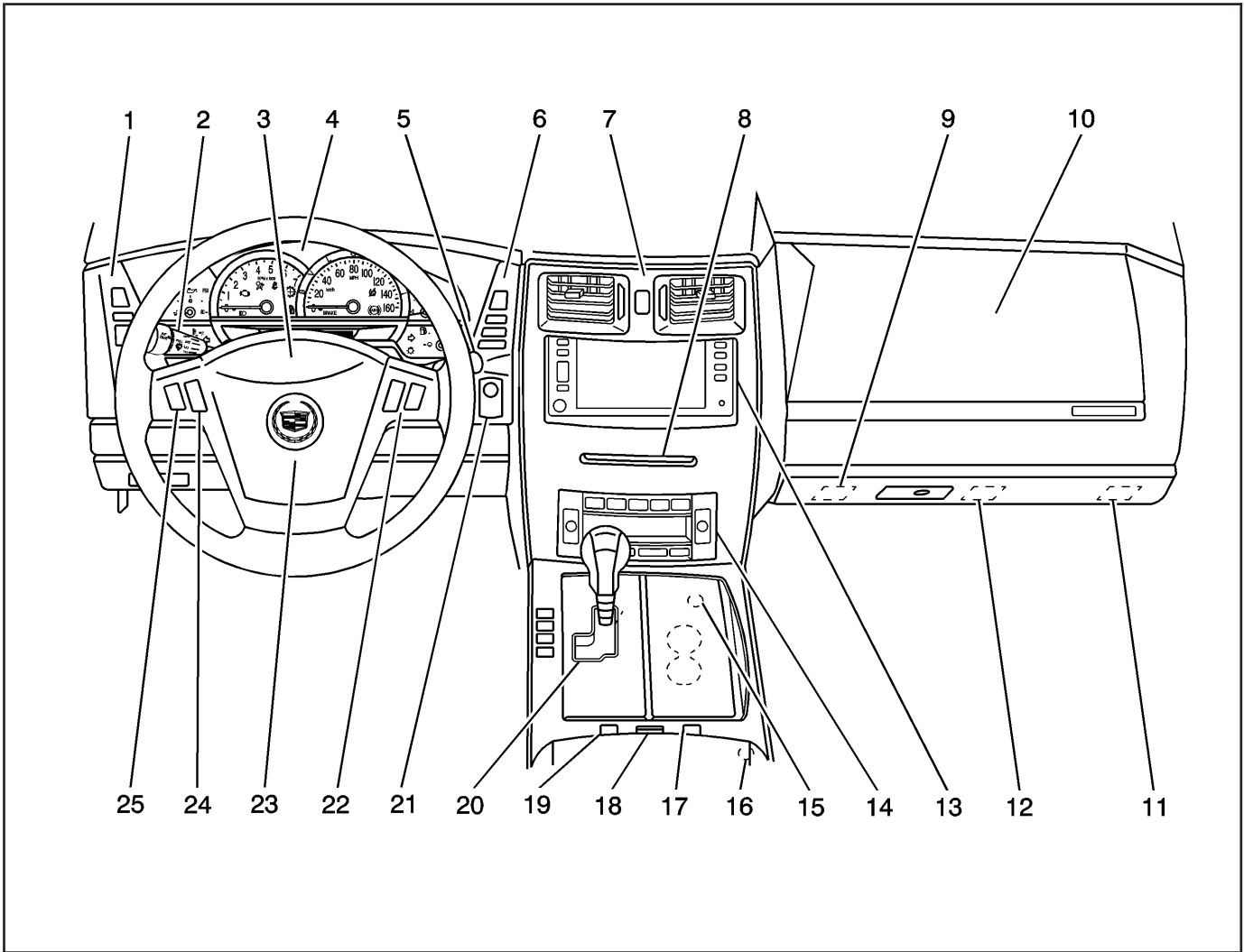


SIR Component Views

Instrument Panel

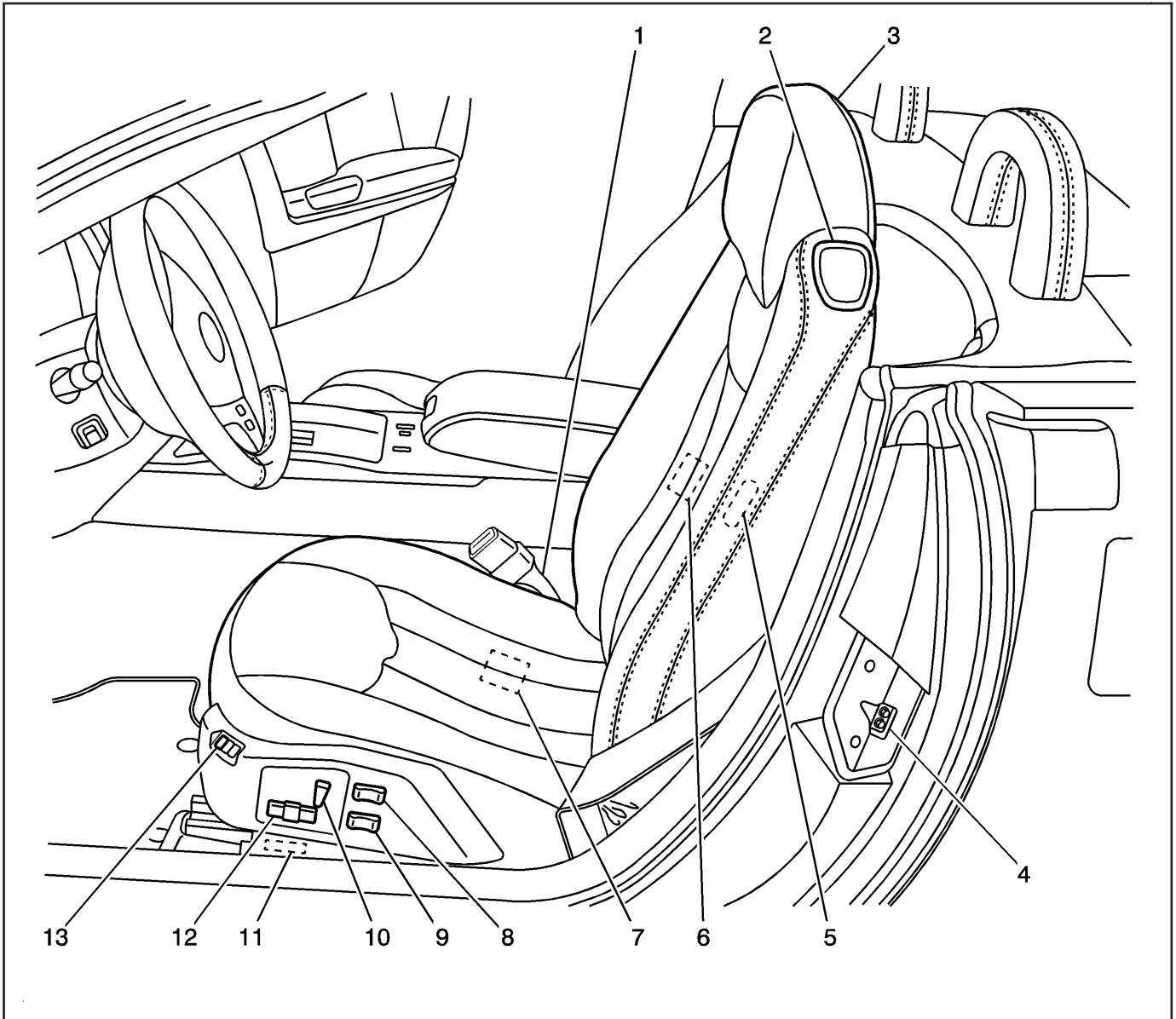


1252421

Legend

- | | |
|---|---|
| (1) Dimmer/Head Up Display (HUD) Switch | (14) HVAC Control Module |
| (2) Turn Signal/Multifunction Switch | (15) Cigar Lighter |
| (3) Inflatable Restraint Steering Wheel Module | (16) Auxiliary Power Outlet |
| (4) Instrument Panel Cluster (IPC) | (17) Folding Top Switch |
| (5) Windshield Wiper/Washer Switch | (18) Inflatable Restraint I/P Module Disable Switch LED |
| (6) Driver Information Center (DIC) Switch | (19) Traction Control Switch |
| (7) Hazard Switch | (20) Automatic Transmission Shift Lever |
| (8) CD Changer | (21) Ignition Mode Switch |
| (9) Valet Switch | (22) Steering Wheel Control Switch Assembly |
| (10) Inflatable Restraint I/P Module | (23) Horn Switch |
| (11) Inflatable Restraint I/P Module Disable Switch | (24) Steering Wheel Control Switch Assembly |
| (12) I/P Compartment Lamp | (25) Steering Wheel Control Switch Assembly |
| (13) Radio | |

Drivers Seat

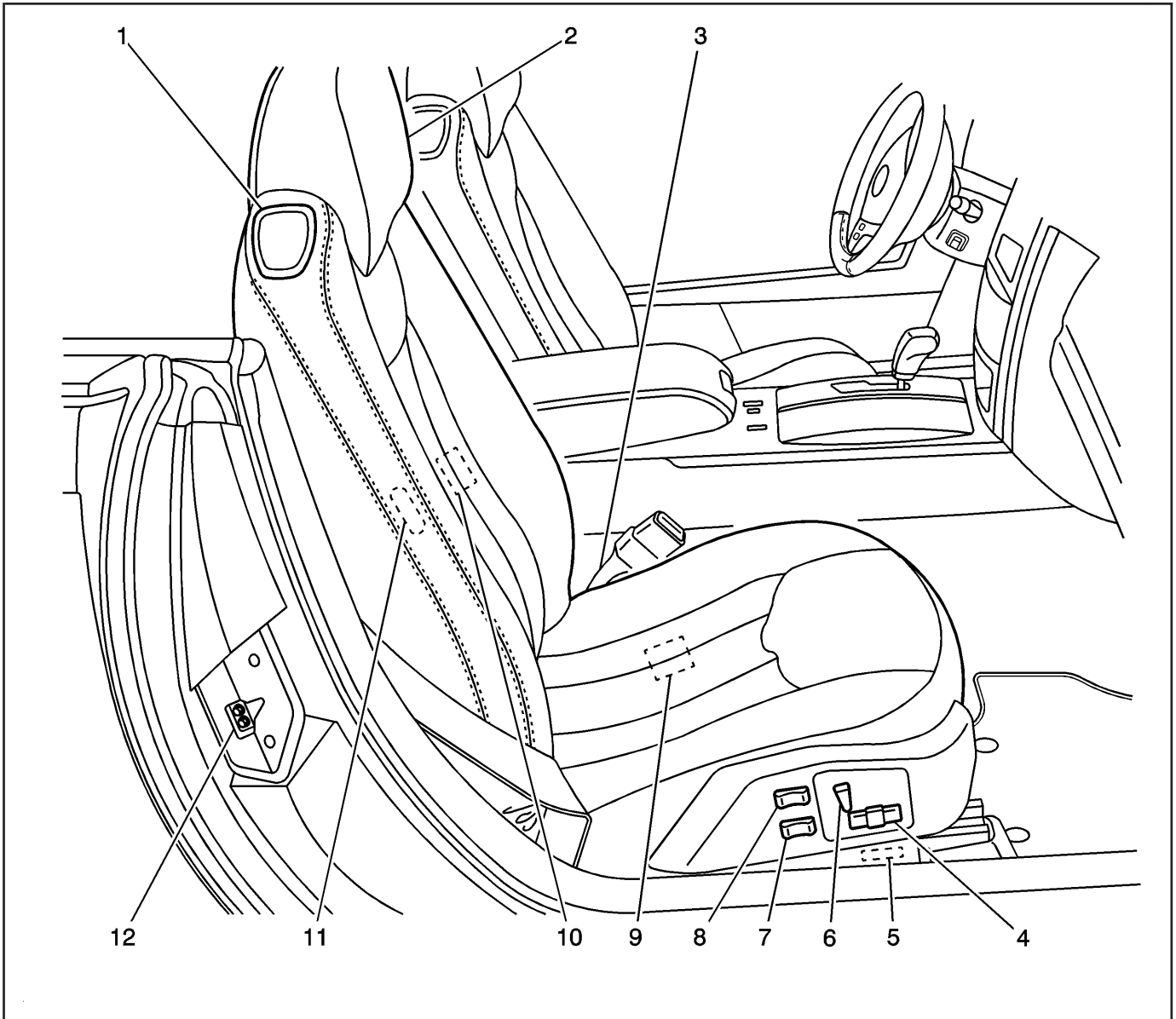


1258717

Legend

- | | |
|---|---|
| (1) Seat Belt Pretentioner – Left | (8) Upper Lumbar Switch – Driver |
| (2) Speaker – Driver Side Left | (9) Lower Lumbar Switch – Driver |
| (3) Speaker – Driver Side Right | (10) Seat Adjuster Switch – Driver |
| (4) Door Lock – Driver | (11) Inflatable Restraint Seat Position Switch – Left |
| (5) Inflatable Restraint Side Impact Module – Left | (12) Seat Adjuster Switch – Driver |
| (6) Seat Back Thermal Electronic Device (TED) – Driver | (13) Memory Seat Switch |
| (7) Seat Cushion Thermal Electronic Device (TED) – Driver | |

Passengers Seat

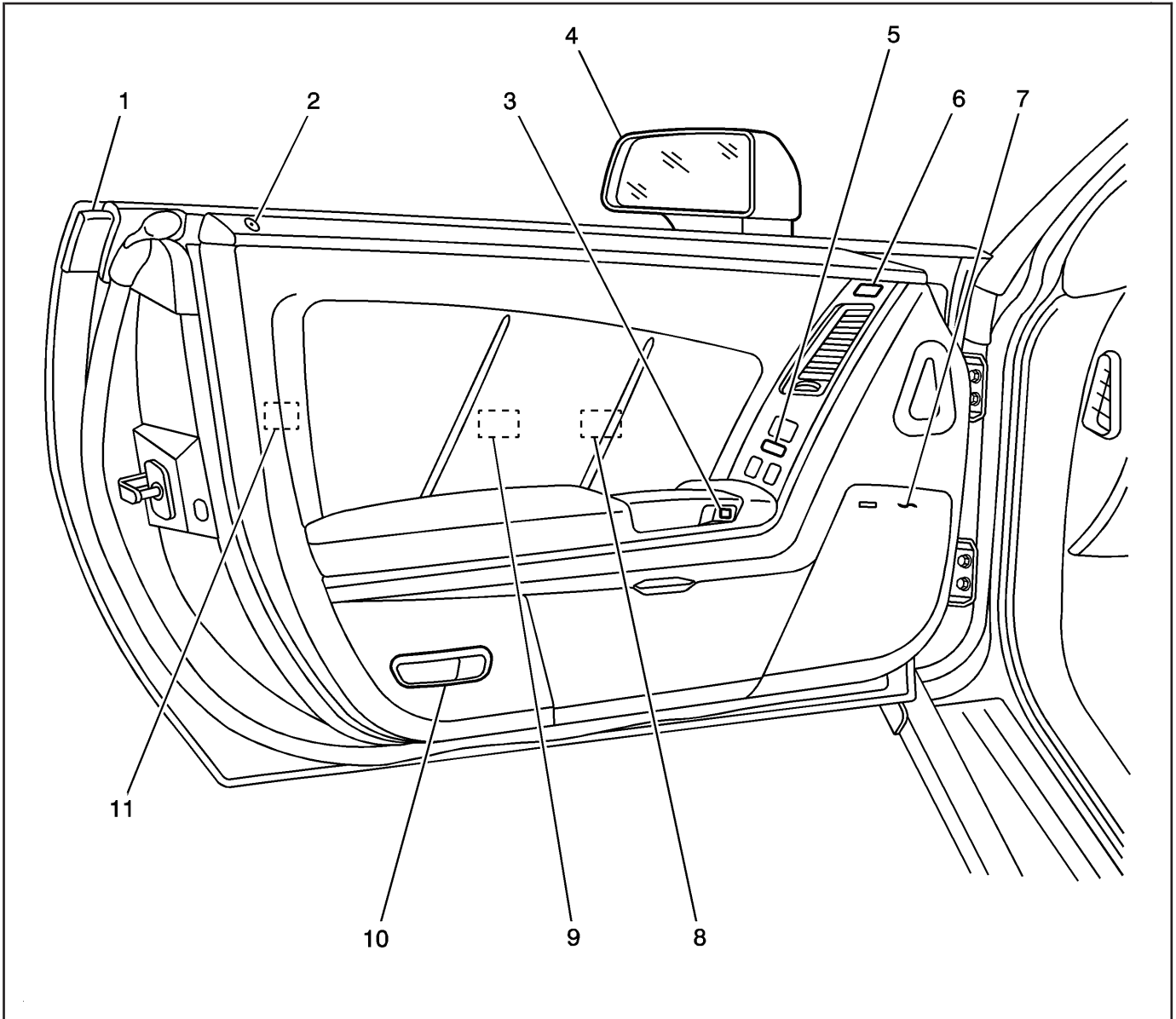


1258718

Legend

- | | |
|---|--|
| (1) Speaker – Passenger Seat Right | (8) Upper Lumbar Switch – Passenger |
| (2) Speaker – Passenger Seat Left | (9) Seat Cushion Thermal Electronic Device (TED) – Front Passenger |
| (3) Seat Belt Pretentioner – Right | (10) Seat Back Thermal Electronic Device (TED) – Front Passenger |
| (4) Seat Adjuster Switch – Front Passenger | (11) Inflatable Restraint Side Impact Module – Right |
| (5) Inflatable Restraint Seat Position Switch – Right | (12) Door Lock – Front Passenger |
| (6) Seat Adjuster Switch – Front Passenger | |
| (7) Lower Lumbar Switch – Passenger | |

Drivers Door

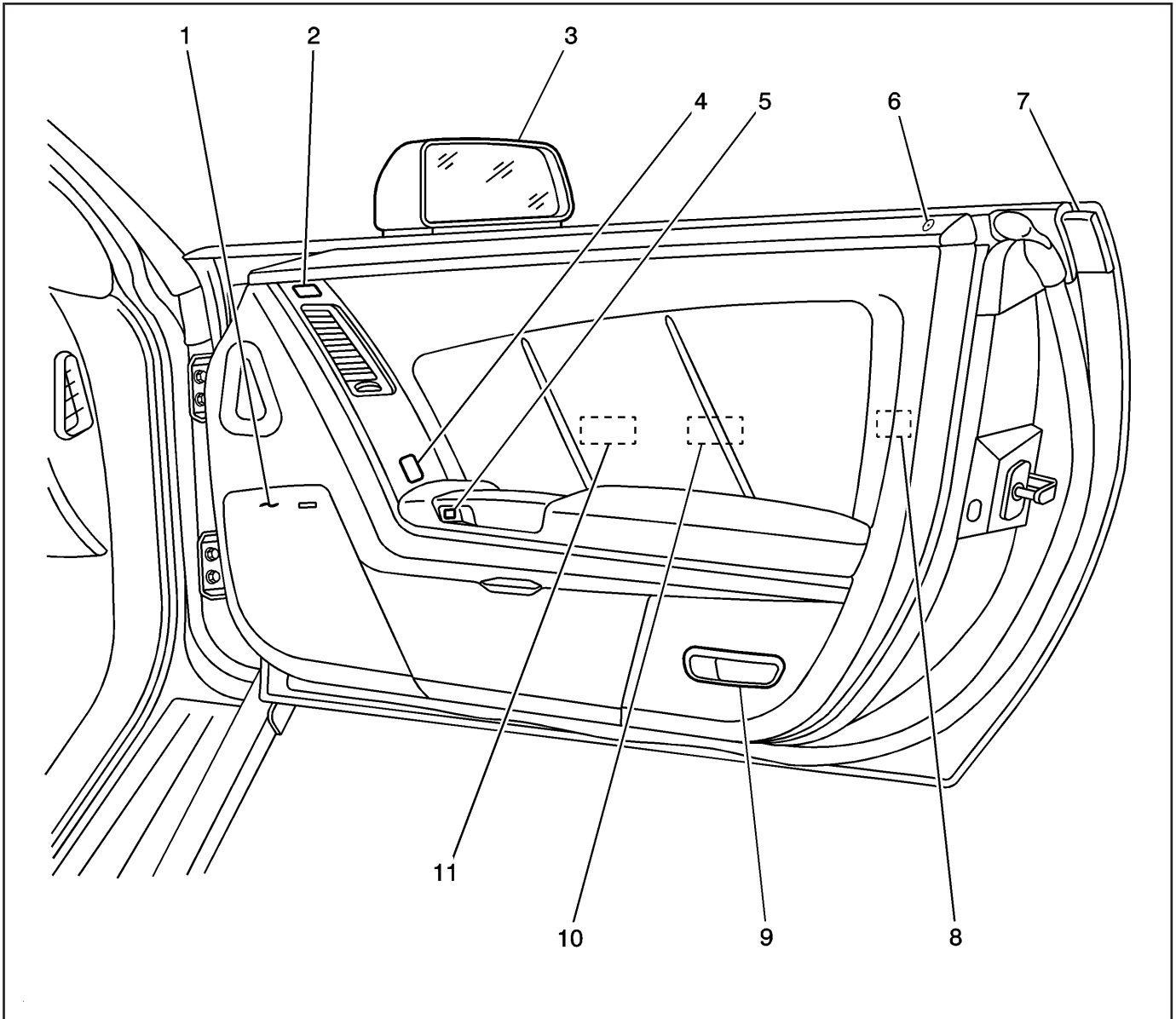


1258720

Legend

- | | |
|--|---|
| (1) Door Handle Switch – Driver Exterior | (7) Speaker – Left Front Door Subwoofer |
| (2) Door Lock Indicator – Driver | (8) Driver Door Module (DDM) |
| (3) Door Handle Switch – Driver Interior | (9) Window Motor – Driver |
| (4) Outside Rearview Mirror – Driver | (10) Courtesy Lamp – Left Door |
| (5) Driver Door Switch Assembly (DSSA) | (11) Inflatable Restraint Side Impact Sensor (SIS) – Left |
| (6) Door Lock Switch – Driver | |

Passengers Door

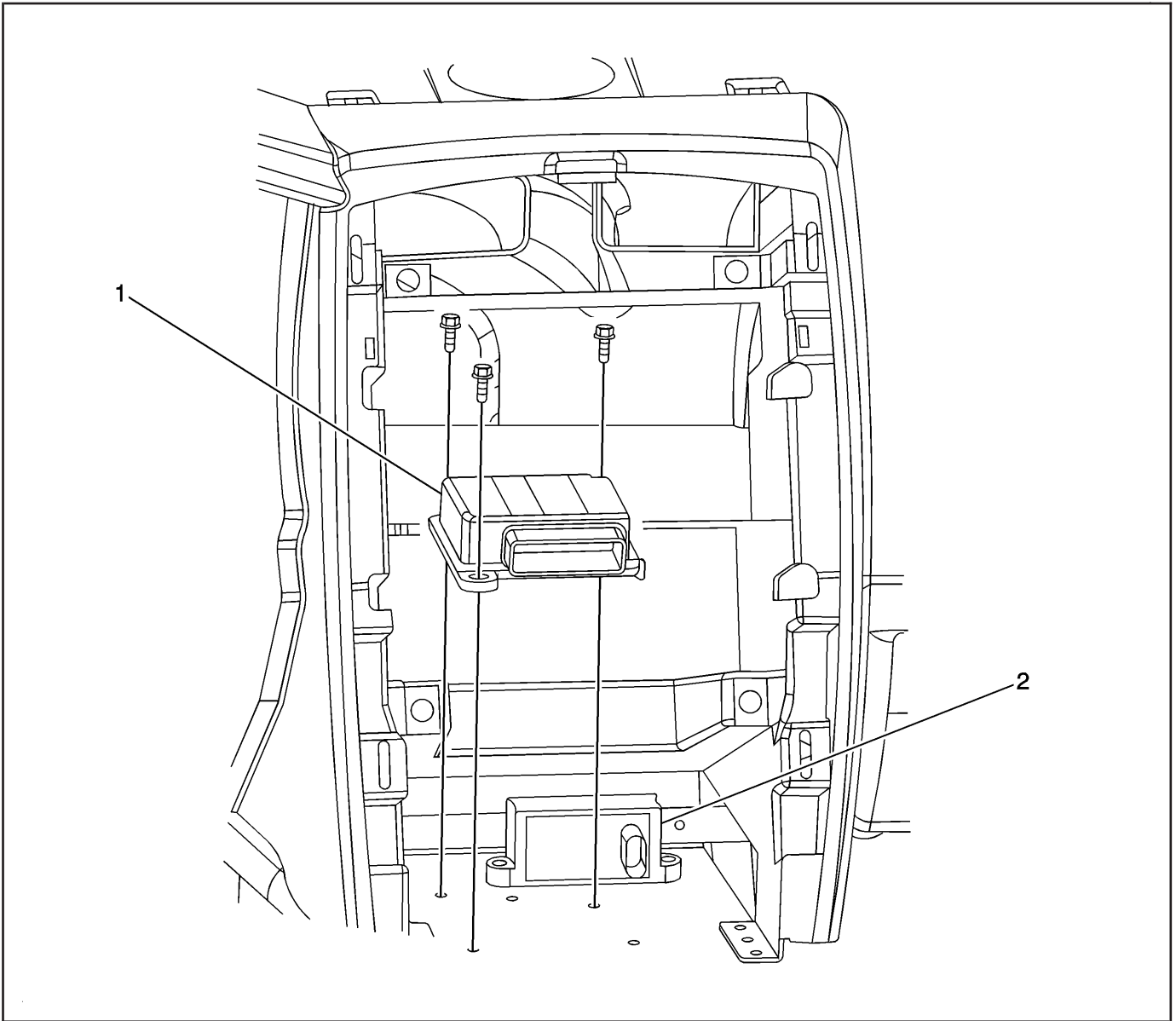


1258719

Legend

- | | |
|---|---|
| (1) Speaker – Right Front Door Subwoofer | (7) Door Handle Switch – Passenger Exterior |
| (2) Door Lock Switch – Front Passenger | (8) Inflatable Restraint Side Impact Sensor (SIS) – Right |
| (3) Outside Rearview Mirror – Front Passenger | (9) Courtesy Lamp – Right Door |
| (4) Window Switch – Front Passenger | (10) Window Motor – Front Passenger |
| (5) Door Handle Switch – Front Passenger | (11) Front Passenger Door Module (FPDM) |
| (6) Door Lock Indicator – Front Passenger | |

Behind the Center of the I/P



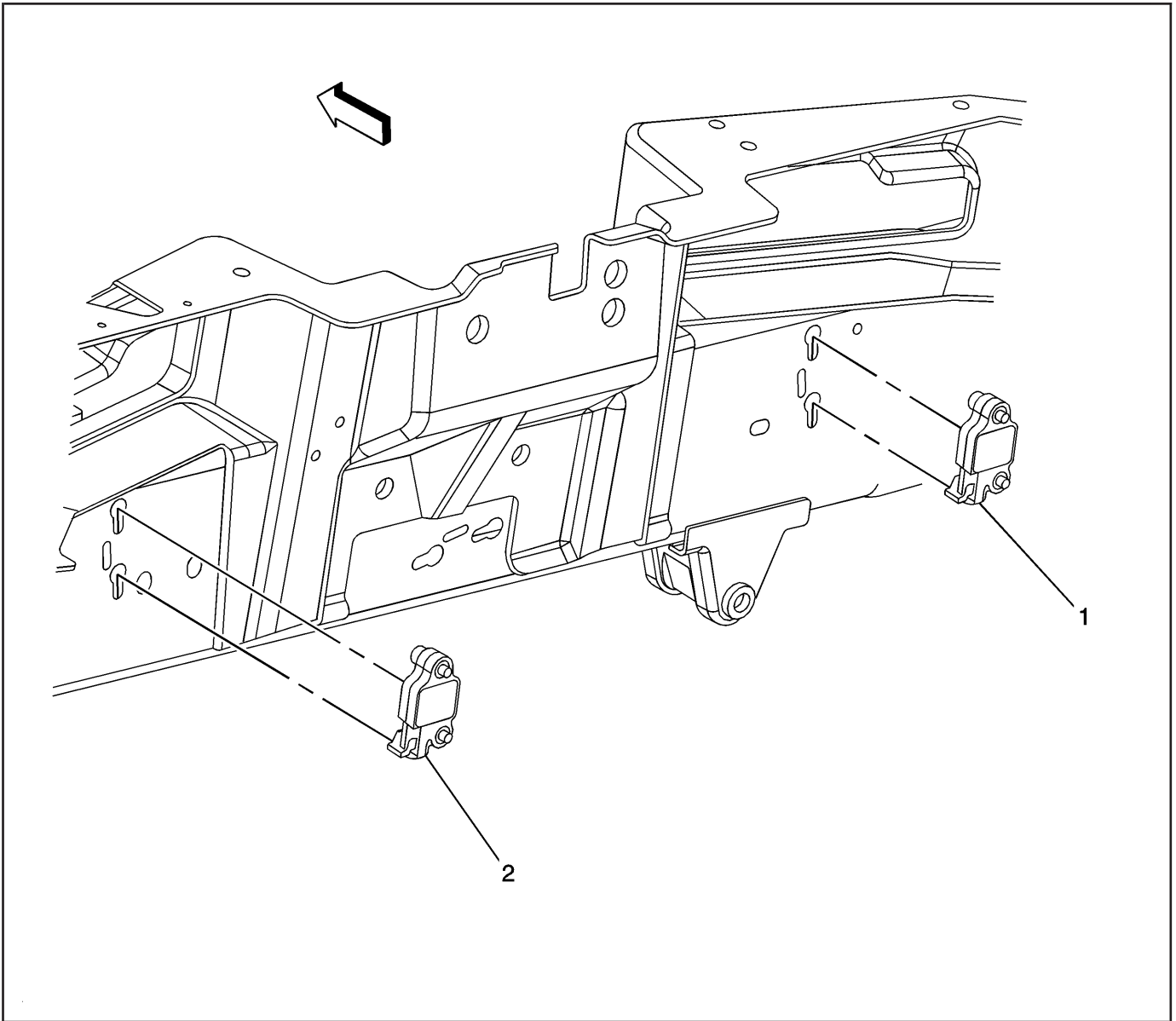
1358215

Legend

(1) Inflatable Restraint Sensing and Diagnostic Module (SDM)

(2) Yaw and Lateral Accelerometer Sensor

Front of the Vehicle



1358217

Legend

(1) Inflation Restraint Front End
Sensor – Right

(2) Inflation Restraint Front End Sensor – Left