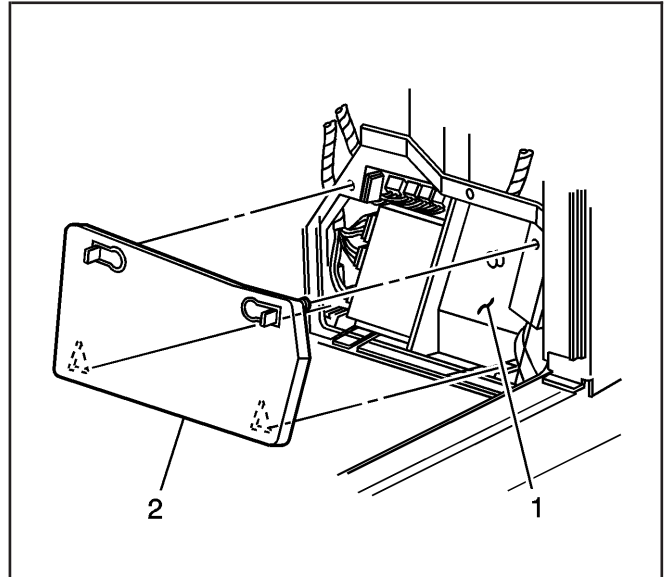


SIR Disabling and Enabling Zone 1

Disabling Procedure

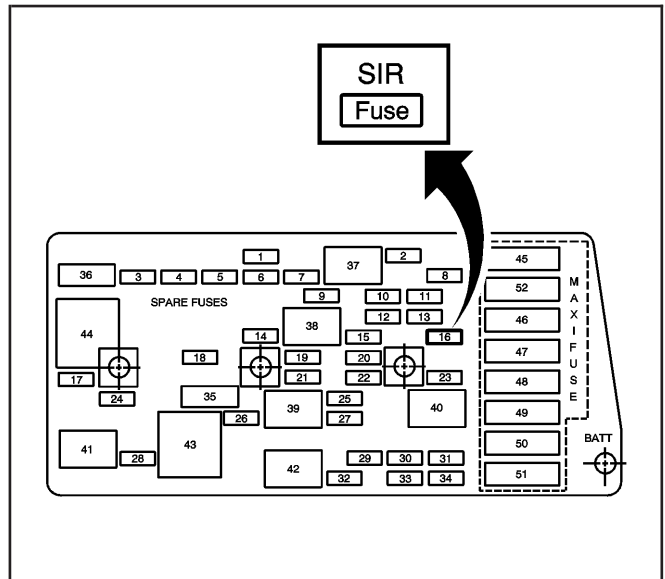
1. Turn the steering wheel so that the vehicle's wheels are pointing straight ahead.
2. Place the ignition in the OFF position.
3. Remove the kick-up panel (2) to expose the instrument panel (I/P) fuse block.
4. Remove the I/P fuse block cover (1).



1246577

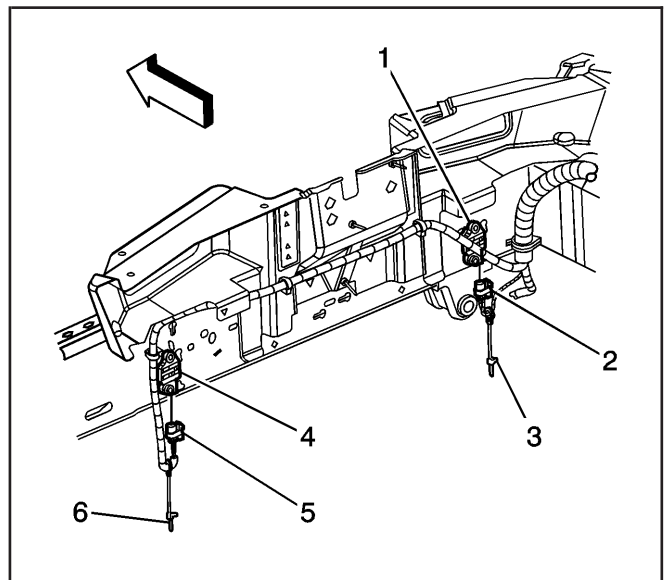
Important: With the SDM fuse removed and the ignition in the ON position, the AIR BAG warning indicator illuminates. This is normal operation, and does not indicate an SIR system malfunction.

5. Locate the SDM fuse within the I/P fuse block.
6. Remove the SDM fuse from the I/P fuse block.

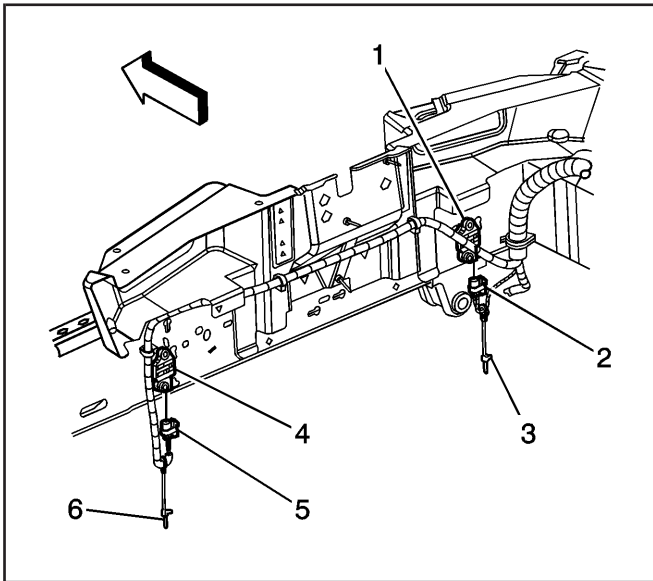


1246574

7. Open front hood, and remove the air cleaner assembly.
8. Locate both right and left front end sensors also known as the electronic frontal sensor (EFS) (1,4).
9. Remove both right and left connector position assurance (CPA) (3,6) from right and left EFS connector (2,5).
10. Remove both right and left EFS connector (2,5) from the right and left EFS (1,4).



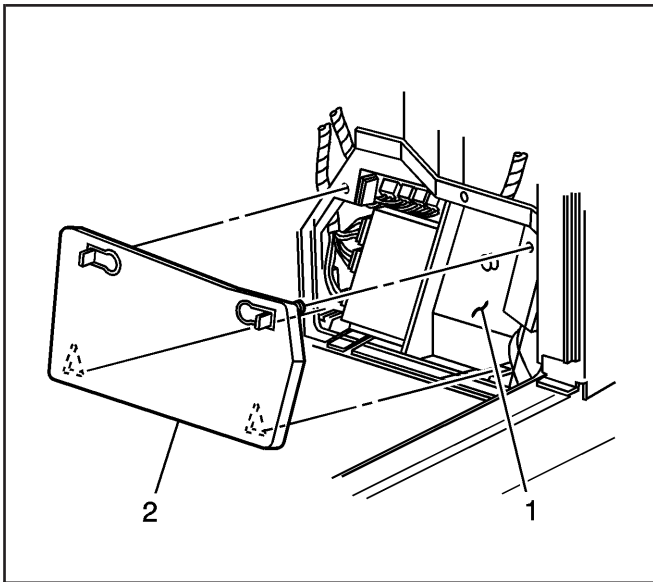
1246631



1246631

Enabling Procedure

1. Place the ignition in the OFF position.
2. Connect both right and left EFS connector (2,5) to right and left EFS (1,4).
3. Connect both right and left CPA (3,6) to right and left EFS connector (2,5).



1246577

4. Install the SDM fuse into the I/P fuse block.
5. Install the I/P fuse block cover (1).
6. Install the kick-up panel (2) to cover the I/P fuse block (1).
7. Use caution while reaching in and place the ignition to the ON position.
The AIR BAG indicator will flash then turn OFF.
8. Perform the Vehicle System Check if the AIR BAG warning indicator does not operate as described.