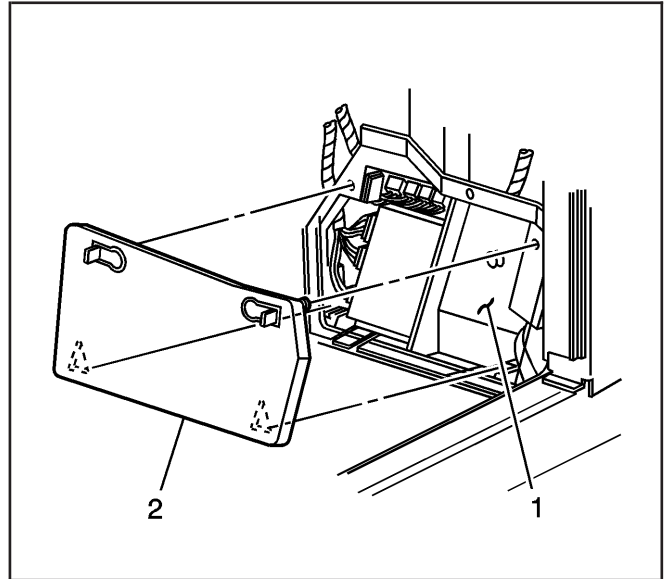


SIR Disabling and Enabling Zone 3

Disabling Procedure

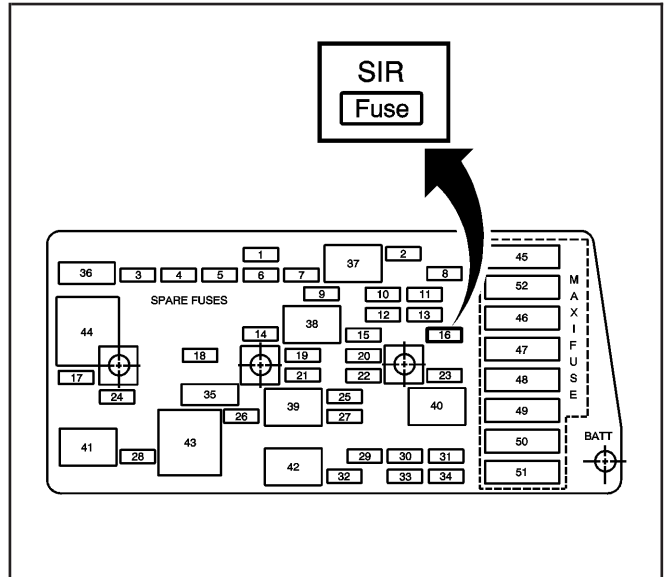
1. Turn the steering wheel so that the vehicle's wheels are pointing straight ahead.
2. Place the ignition in the OFF position.
3. Remove the kick-up panel (2) to expose the instrument panel (I/P) fuse block.
4. Remove the I/P fuse block cover (1).



1246577

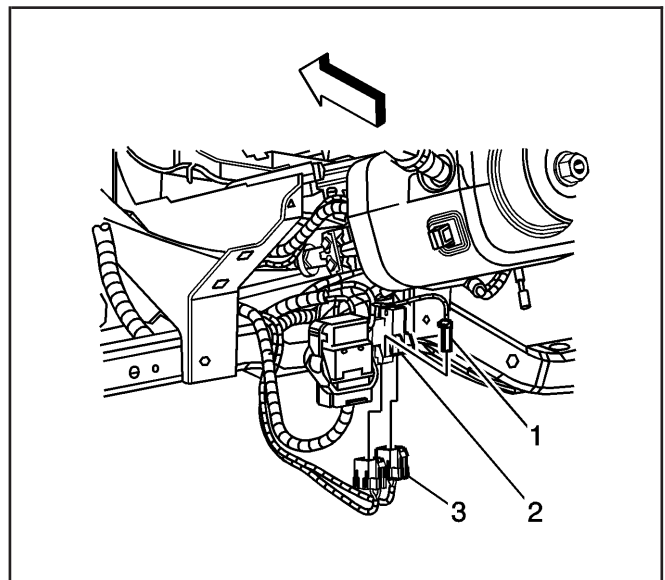
Important: With the SDM fuse removed and the ignition in the ON position, the AIR BAG warning indicator illuminates. This is normal operation, and does not indicate an SIR system malfunction.

5. Locate the SDM fuse within the I/P fuse block.
6. Remove the SDM fuse from the I/P fuse block.

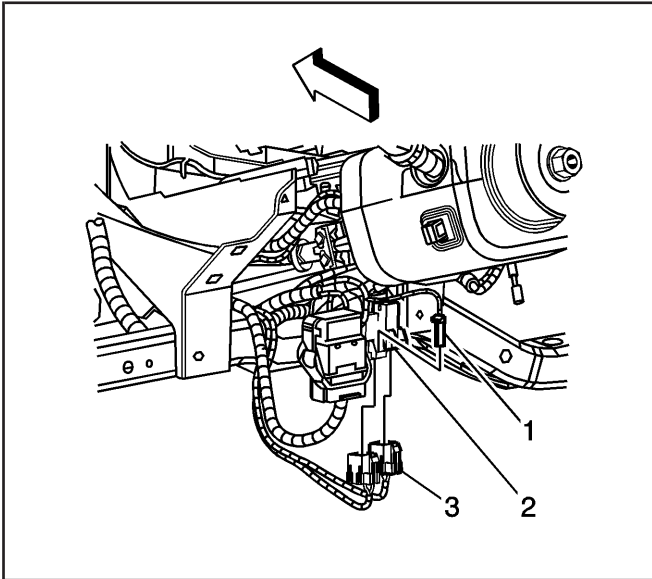


1246574

7. Remove the left/driver sound insulator from the I/P.
8. Remove the connector position assurance (CPA) (1) from the vehicle harness yellow connector (2).
9. Disconnect the steering wheel module coil yellow connector (3) from the vehicle harness yellow connector (2).



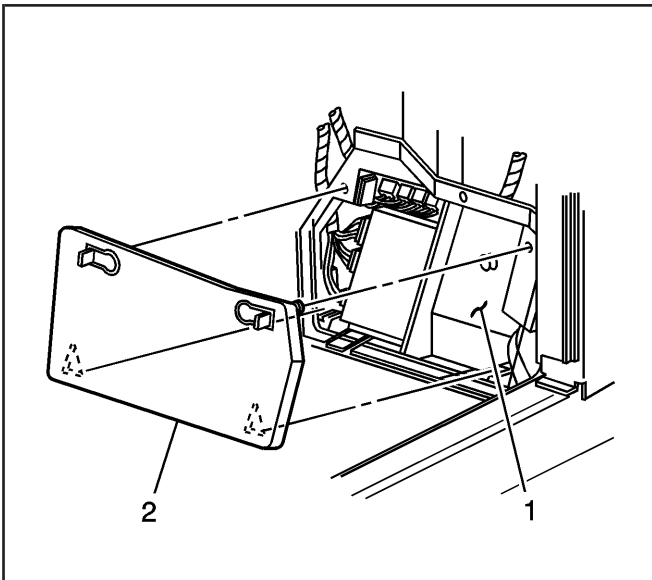
1246630



1246630

Enabling Procedure

1. Place the ignition in the OFF position.
2. Connect the steering wheel module coil yellow connector (3) to the vehicle harness yellow connector (2).
3. Install the CPA (1) to the vehicle harness yellow connector (2).
4. Install the left sound insulator to the I/P.



1246577

5. Install the SDM fuse into the I/P fuse block.
6. Install the I/P fuse block cover (1).
7. Install the kick-up panel (2) to cover the I/P fuse block (1).
8. Use caution while reaching in and place the ignition to the ON position.
The AIR BAG indicator will flash then turn OFF.
9. Perform the Vehicle System Check if the AIR BAG warning indicator does not operate as described.