

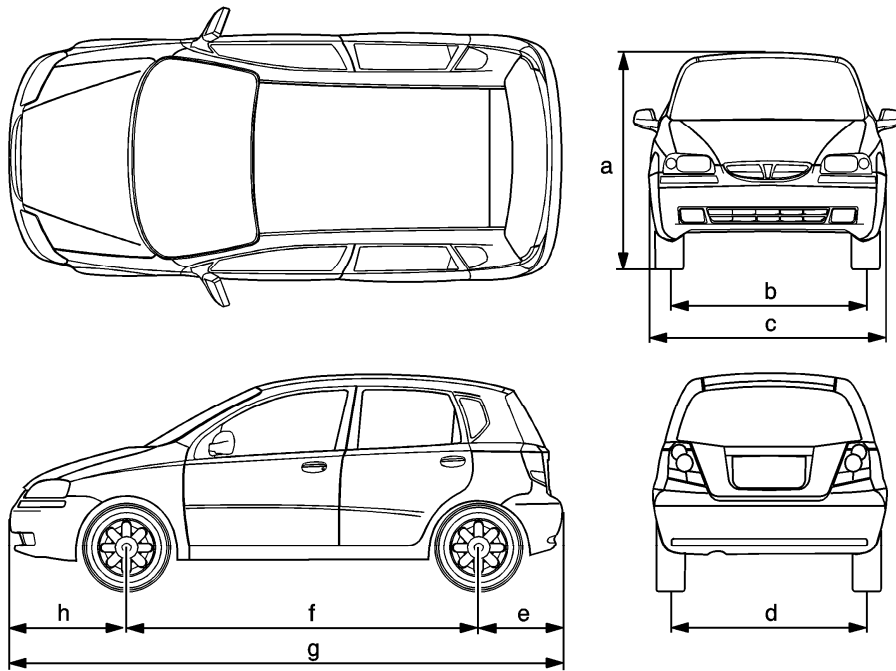
Dimensions - Body

Caution: To avoid personal injury when exposed to welding flashes or to galvanized (Zinc Oxide) metal toxic fumes while grinding/cutting on any type of metal or sheet molded compound, you must work in a properly ventilated area, wearing an approved respirator, eye protection, earplugs, welding gloves, and protective clothing.

Most monocoque bodies are composed as a single unit by welding together pressed parts made of steel plates which come in a variety of different shapes and sizes. Each part is responsible for displaying a certain strength and durability in order that it may play its role in meeting the functions of the body as a whole.

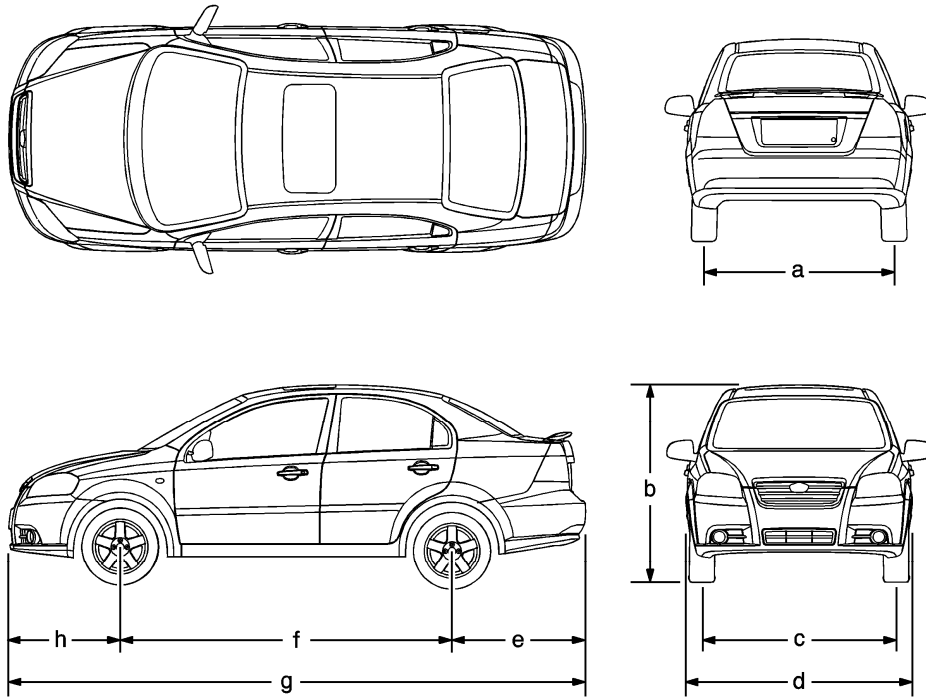
Damage to the exterior of the body can be inspected visually, but where there has been an external impact, it is necessary to inspect the extent of the damage. In some cases, the deformation has spread beyond the actual areas which were in the collision and so this has to be inspected closely.

Hatch Back



Points	Dimensions (mm)	Dimensions (in)
A	1,495	58.86
B	1,450	57.09
C	1,670	65.75
D	1,410	55.51
E	587	23.11
F	2,480	97.64
G	3,880	152.76
H	813	32.01

Notch Back



Points	Dimensions (mm)	Dimensions (in)
A	1,4305	56.30
B	1,505	59.25
C	1,450	57.09
D	1,710	67.32
E	997	39.25
F	2,480	97.64
G	4,310	169.69
H	833	32.80