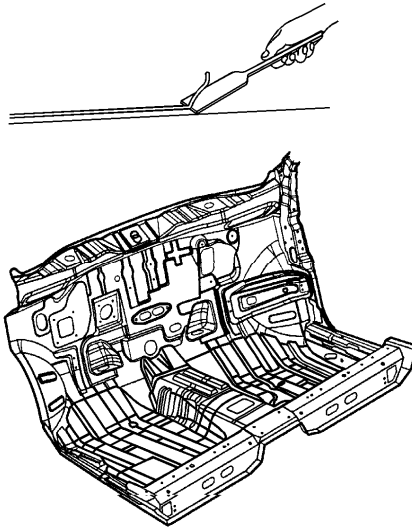


Sound Barrier Replacement

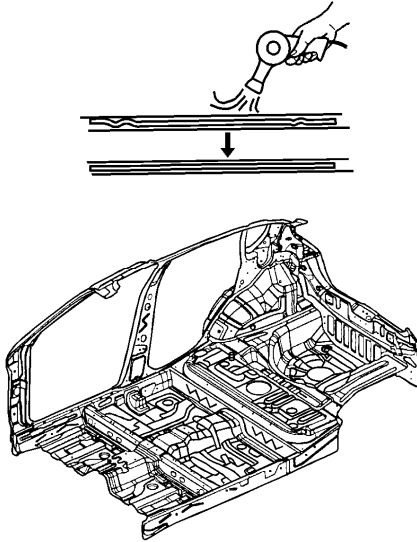
Removal Procedure



1. Remove the seats and carpet.
2. Remove all trim panels.
3. Peel off the damaged deadener with a steel spatula, carefully remove deadener.

Installation Procedure

1. Before applying the deadener, thoroughly clean and dry the areas to be applied.



Important

Avoid the parts mounting holes and service holes.

2. Note the areas on the panels to apply the deadener.
3. Heat the surface of deadener with a torch or heating gun until it adheres itself.

Important

Be careful not to burn the composite parts when heating.

Important

In order to take full advantage of the deadener, its face must adhere and contact the panels perfectly.

4. Push and adhere to the panel with a rubber spatula.
5. Install all trim panels.
6. Install seats and carpet.