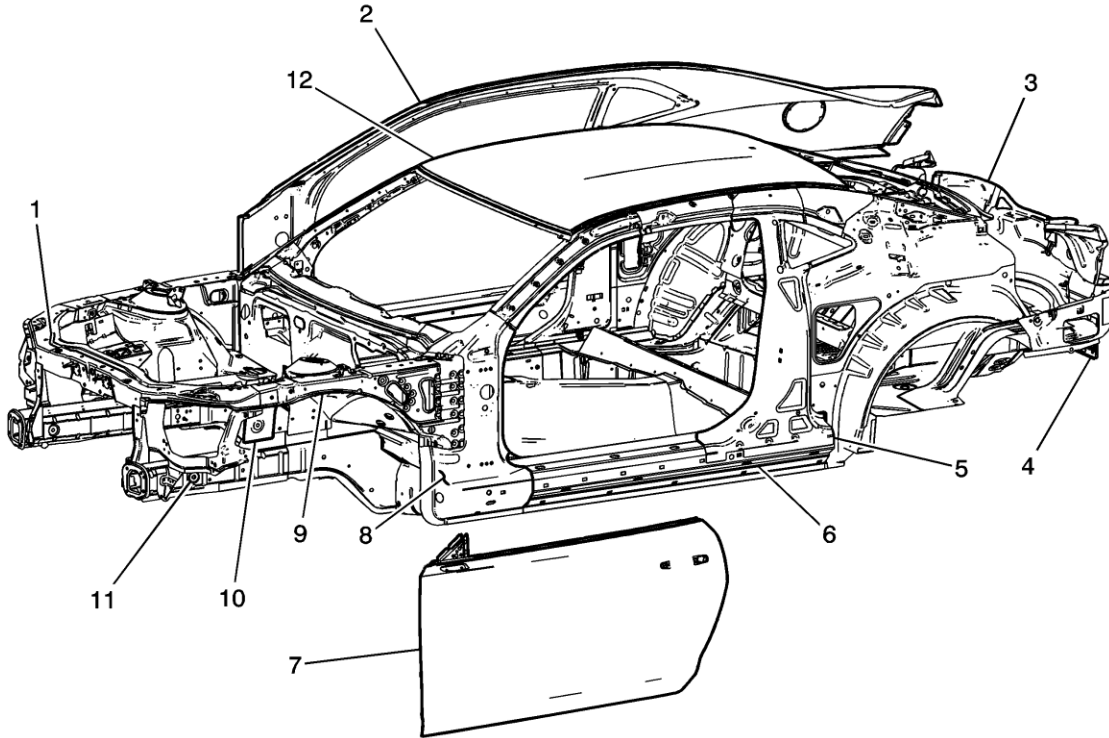


Structure Identification



Number	Description	Material	Procedure
1	Front End Uper Tie Bar Replacement	Mild Steel	Front End Upper Tie Bar Replacement
2	Outer Bodyside Panel	Mild Steel	<ul style="list-style-type: none"> • Front Hinge Pillar Body Sectioning • Rocker Outer Panel Sectioning
3	Rear End Panel	Mild Steel	Body Rear End Panel Replacement
4	Rear Frame Rail	High Strength Low Alloy Steel	Rail Replacement - Rear Section
5	Center Pillar Reinforcement	High Strength Low Alloy Steel	Door Frame Reinforce Sectioning - Center Pillar

6	Rocker Inner Panel	Ultra High Strength Steel	Rocker Inner Panel Reinforcement Replacement
7	Front Outer Door Panel	Mild Steel	Front Side Door Outer Panel Replacement
8	Front Body Inner Hinge Pillar	High Strength Low Alloy Steel	Body Hinge Pillar Extension Panel Replacement
9	Front Side Rail	High Strength Low Alloy Steel	Front Compartment Upper Side Rail Replacement
10	Front Wheelhouse	Mild Steel	Front Wheelhouse Panel Replacement
11	Front Compartment Lower rail	High Strength Low Alloy Steel	<ul style="list-style-type: none"> • Front Compartment Inner Side Rail Replacement • Front Compartment Inner Side Rail Sectioning • Underbody Outer Front Side Rail Sectioning
12	Roof Outer	Mild Steel	Roof Outer Panel Replacement

© 2009 General Motors Corporation. All rights reserved.