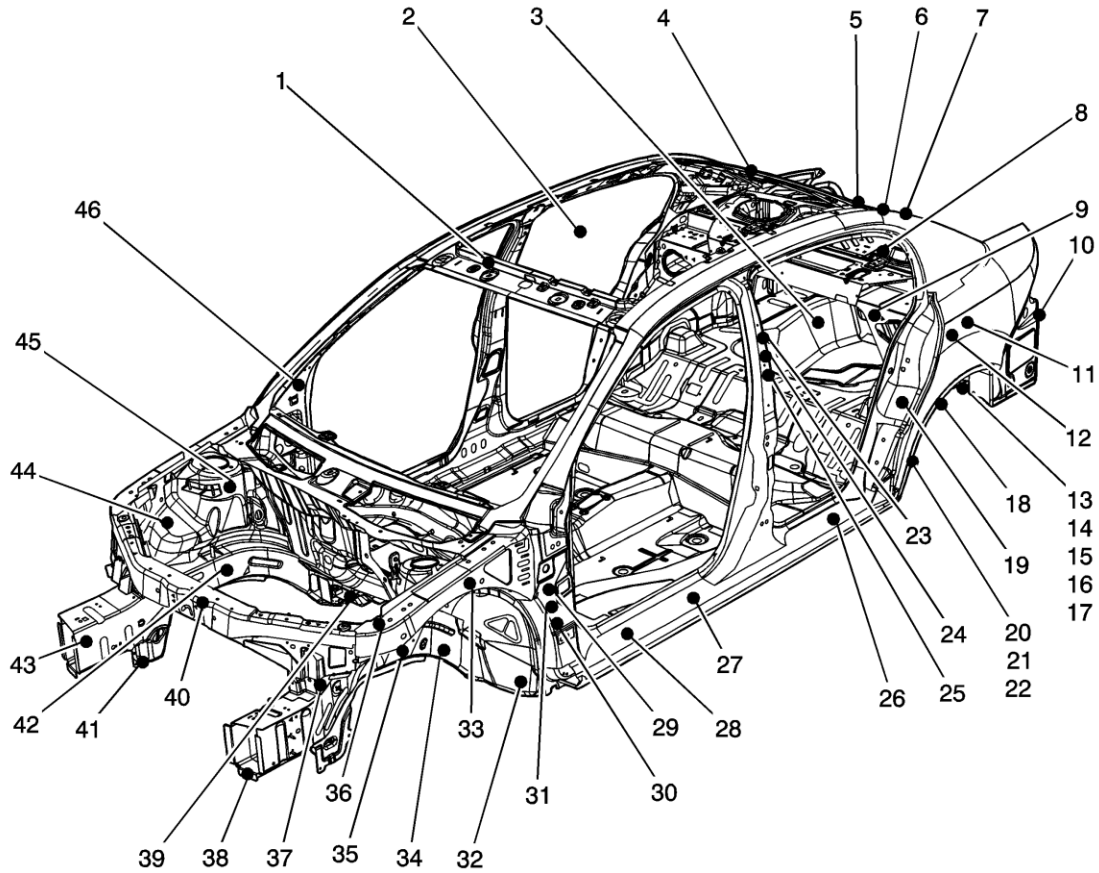


Structure Identification



Number	Description	Material	Procedure
1	Windshield Frame Header Panel Replacement - Front	Mild Steel	Windshield Frame Header Front Panel Replacement
2	Roof Panel Replacement - Outer	Mild Steel	Roof Outer Panel Replacement
3	Rear Compartment Floor Panel Sectioning	Mild Steel	Rear Compartment Floor Panel Sectioning

4	Rear Window Frame Header Panel Replacement - Rear	Mild Steel	Rear Window Frame Header Rear Panel Replacement
5	Body Rear End Panel Replacement	Mild Steel	Body Rear End Panel Replacement
6	Battery Tray Replacement	Mild Steel	Battery Tray Replacement
7	Rear Window Reinforcement - Rear	Mild Steel	Rear Window Panel Rear Reinforcement Replacement
8	Rear Window Panel Replacement	Mild Steel	Rear Window Panel Replacement
9	Rear Window Reinforcement Replacement - Lower Front	Mild Steel	Rear Window Panel Reinforcement Replacement
10	Tail Lamp Pocket Reinforcement	Mild Steel	Tail Lamp Pocket Reinforcement Replacement
11	Quarter Panel Sectioning - Outer	Mild Steel	Quarter Outer Panel Sectioning
12	Quarter Panel Replacement - Inner	Mild Steel	Quarter Inner Panel Sectioning
13	Cross Bar No. 5 Extension Replacement - Floor Panel	Mild Steel	Floor Panel Number 5 Cross Bar Extension Replacement
14	Rail Replacement Rear Side Underbody	Mild Steel	Underbody Rear Side Rail Replacement
15	Rail Sectioning Rear Side Underbody	Mild Steel	Rail Sectioning Rear Side Underbody
16	Rail Side Underbody Gusset Replacement - Rear	Mild Steel	Rear Rail Underbody Gusset Replacement
17	Rail Side Underbody Reinforcement Replacement - Rear	High Strength Low Alloy Steel	Rear Rail Underbody Reinforcement Replacement
18	Wheelhouse Replacement - Rear Inner	Mild Steel	Rear Inner Wheelhouse Replacement
19	Pillar Lock Rear Door Replacement - Inner	Mild Steel	Rear Door Inner Lock Pillar Replacement
20	Cross Bar No. 4 Replacement - Floor Panel	Mild Steel	Floor Panel Number 4 Cross Bar Replacement
21	Cross Bar No. 4 Extension Replacement - Floor Panel	Mild Steel	Floor Panel Number 4 Cross Bar Extension Replacement
22	Cross Bar No. 5	Mild Steel	Floor Panel Number 5

	Replacement - Floor Panel Center		Cross Bar Replacement
23	Pillar Lock Front Door Reinforcement Replacement - Outer	Mild Steel	Body Lock Pillar Outer Panel Reinforcement Replacement
24	Pillar Lock Front Door Sectioning Replacement - Outer	Mild Steel	Body Lock Pillar Outer Panel Reinforcement Sectioning
25	Pillar Lock Front Door Replacement - Inner	Mild Steel	Body Lock Pillar Inner Panel Replacement
26	Rocker Panel Extension Replacement - Inner	Mild Steel	Rocker Inner Panel Extension Replacement
27	Body Side Panel Replacement - Outer	Mild Steel	Body Side Outer Panel Replacement
28	Rocker Panel Replacement - Inner	High Strength Low Alloy Steel	Rocker Inner Panel Replacement
29	Hinge Pillar Body Replacement - Front Inner	Mild Steel	Front Inner Hinge Pillar Body Replacement
30	Pillar Lock Front Door Sectioning - Outer	Mild Steel	Body Lock Pillar Outer Panel Sectioning
31	Hinge Pillar Body Sectioning - Front	Mild Steel	Front Hinge Pillar Body Sectioning
32	Extension Replacement Front Compartment Side Rail - Rear	Mild Steel	Front Compartment Side Rail Rear Extension Replacement
33	Rail Replacement Front Compartment - Side Upper	Mild Steel	Front Compartment Upper Side Rail Replacement
34	Rail Replacement Front Compartment - Front Half	High Strength Low Alloy Steel	Front Compartment Front Half Rail Replacement
35	Rail Replacement Front Side Underbody - Outer	High Strength Low Alloy Steel	Underbody Outer Front Side Rail Replacement
36	Rail Sectioning Front Compartment - Side Upper	Mild Steel	Front Compartment Upper Side Rail Sectioning
37	Bracket Replacement Side Rail - Front Compartment	Mild Steel	Front Compartment Side Rail Bracket Replacement
38	Impact Bar Bracket Replacement - Front Bumper	High Strength Low Alloy Steel	Front Bumper Impact Bar Bracket Replacement
39	Cross Bar No. 1 Replacement - Floor Panel	Mild Steel	Floor Panel Number 1 Cross Bar Replacement
40	Tie Bar Replacement	Mild Steel	Front End Upper Tie Bar Replacement
41	Suspension Support	Mild Steel	Front Suspension

	Replacement - Front		Support Replacement
42	Rail Replacement Front Compartment - Front	High Strength Low Alloy Steel	Front Compartment Front Rail Replacement
43	Rail Sectioning Front Compartment - Front	High Strength Low Alloy Steel	Front Compartment Front Rail Sectioning
44	Wheelhouse Extension Replacement - Front	Mild Steel	Front Wheelhouse Extension Replacement
45	Wheelhouse Replacement - Front	Mild Steel	Front Wheelhouse Replacement
46	Windshield Frame Reinforcement Replacement - Inner Upper	Mild Steel	Windshield Inner Upper Frame Reinforcement Replacement

