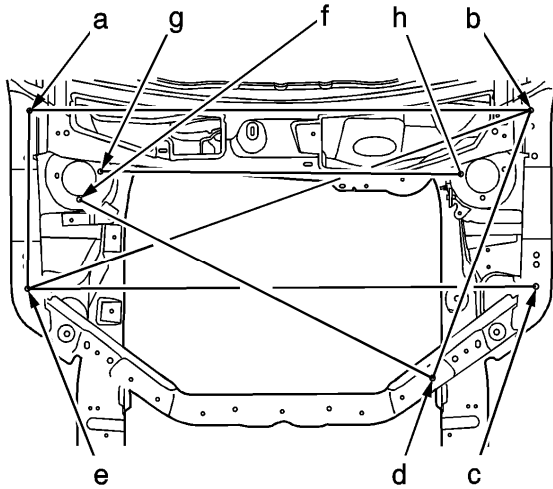


Dimensions - Body

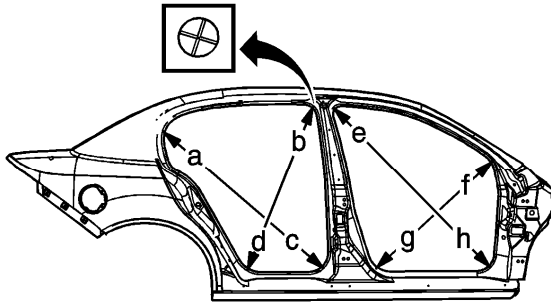
Under Hood



Point to Point	Description	Length
a to b	Upper Rail Rear Hole to Opposite Rear Hole	1383 mm
a to e	Upper Rail Rear Hole to Upper Rail Same Side Front Hole	478 mm
b to d	Upper Rail Rear Hole to Front Upper Tie Bar Hole	772 mm
b to e	Upper Rail Rear Hole to Opposite Rail Front Hole	1470 mm
c to e	Upper Rail Front Hole to Opposite Side Front Hole	1386 mm
d to f	Front Upper Tie Bar to Opposite Shock Tower Front Hole	1080 mm
g to h	Shock Tower Inner Hole to Opposite Shock Tower Inner Hole	980 mm

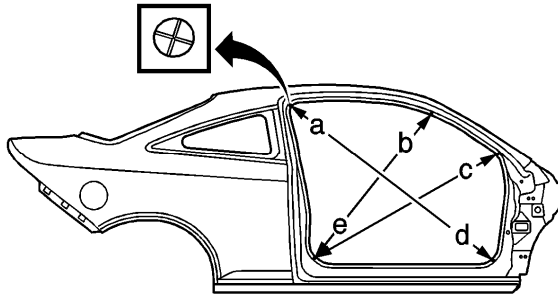
All dimensions are measured from a zero line, a center line, and a common datum. All dimensions are symmetrical unless otherwise specified.

Sedan Body Side



Point to Point	Description	Length
a to c	Rear Door Opening Rear Upper Corner to Front Lower Corner, Center of Die Marks	1201 mm
b to d	Rear Door Opening Front Upper Corner to Rear Lower Corner, Center of Die Marks	1006 mm
e to h	Front Door Opening Rear Upper Corner to Front Lower Corner, Center of Die Marks	1330 mm
f to g	Front Door Opening Front Upper Corner to Rear Lower Corner, Center of Die Marks	920 mm
All dimensions are measured from a zero line, a center line, and a common datum. All dimensions are symmetrical unless otherwise specified.		

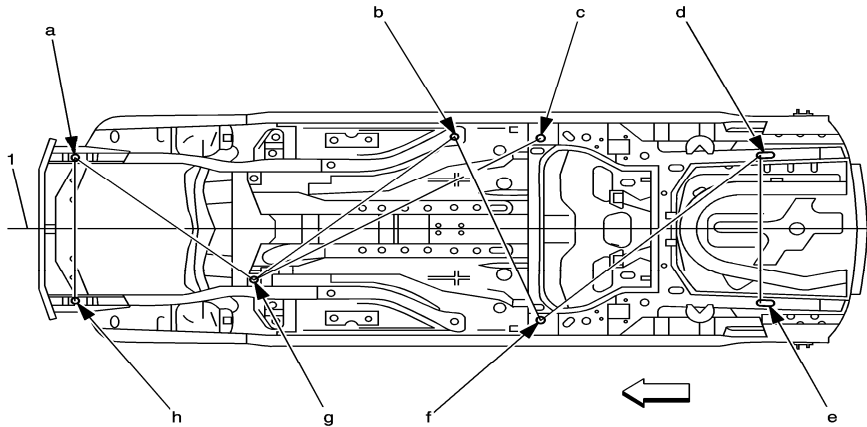
Coupe Body Side



Point to Point	Description	Length
a to d	Door Opening Rear Upper Corner to the Front Lower Corner, Center of the Die Marks	1536 mm
b to e	Door Opening Front Upper Corner to the Rear Lower Corner, Center of the Die Marks	1063 mm
c to e	Door Opening Front Corner to the Rear Lower Corner, Center of the Die Marks	1212 mm

All dimensions are measured from a zero line, a center line, and a common datum. All dimensions are symmetrical unless otherwise specified.

Underbody



Point to Point	Description	Length
a to h	Front Cradle Mount to Front Cradle Mount	938 mm
a to g	Front Cradle Mount to Rear Opposite Cradle Mount	1078 mm
b to g	Rear Slot on Front Rail to Rear Cradle Mount Opposite Side	1418 mm
b to f	Rear Slot on Front Rail to Front Hole on Opposite Side Rear Rail	1274 mm
c to g	Front Hole on Rear Rail to Rear Cradle Hole on Opposite Front Rail	1756 mm
d to f	Rear Slot on Rear Rail to Hole on Front of Rear Rail Opposite Side	1577 mm
d to e	Rear Rail Rear Slot to Rear Rail Rear Slot Opposite Side	974 mm

All dimensions are measured from a zero line, a center line, and a common datum. All dimensions are symmetrical unless otherwise specified.