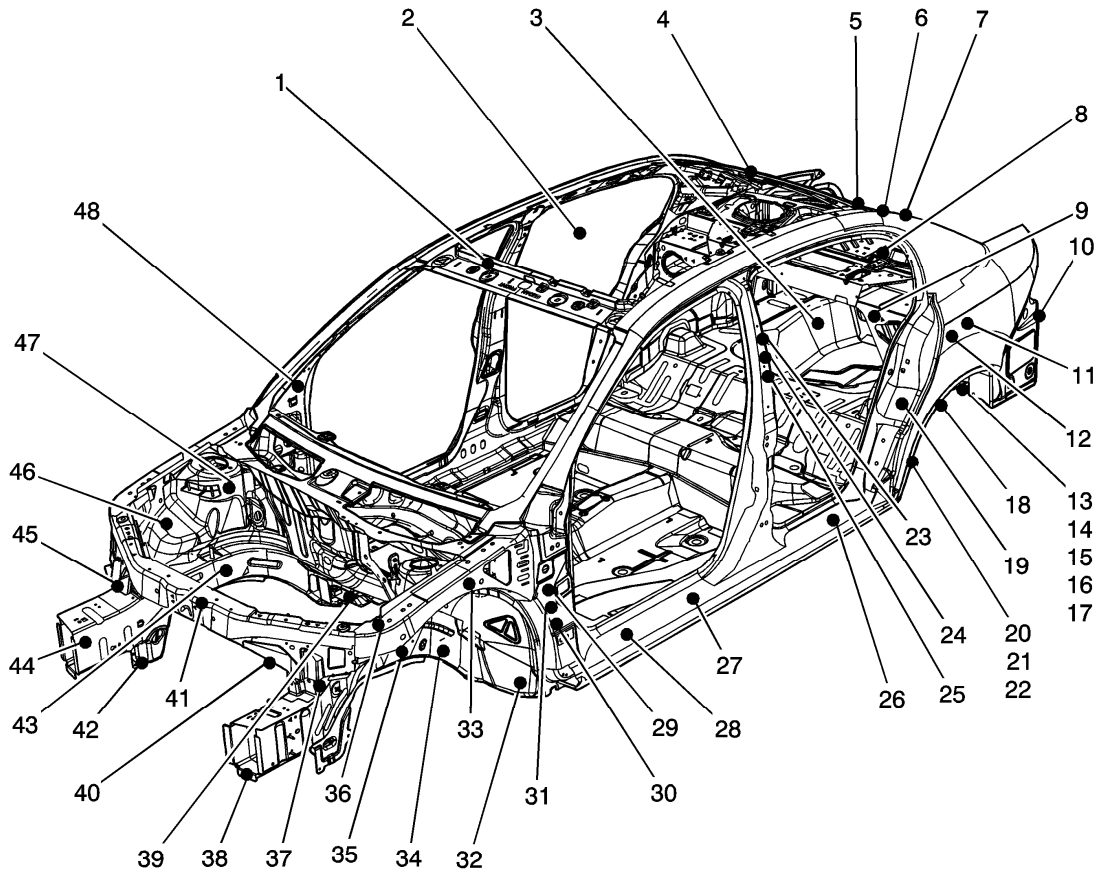


Structure Identification



Number	Description	Procedure
1	Windshield Frame Header Panel Replacement - Front	Windshield Frame Header Panel Replacement - Front
2	Roof Panel Replacement - Outer	Roof Panel Replacement - Outer
3	Rear Compartment Floor Panel Sectioning	Rear Compartment Floor Panel Sectioning

4	Rear Window Frame Header Panel Replacement - Rear	Rear Window Frame Header Panel Replacement - Rear
5	Body Rear End Panel Replacement	Body Rear End Panel Replacement
6	Battery Tray Replacement	Battery Tray Replacement
7	Rear Window Reinforcement - Rear	Rear Window Reinforcement Replacement - Rear
8	Rear Window Panel Replacement	Rear Window Panel Replacement
9	Rear Window Reinforcement Replacement - Lower Front	Rear Window Reinforcement Replacement - Lower Front
10	Tail Lamp Pocket Reinforcement	Tail Lamp Pocket Reinforcement Replacement
11	Quarter Panel Sectioning - Outer	Quarter Panel Sectioning - Outer
12	Quarter Panel Replacement - Inner	Quarter Panel Replacement - Inner
13	Cross Bar No. 5 Extension Replacement - Floor Panel	Cross Bar No.5 Extension Replacement - Floor Panel
14	Rail Replacement Rear Side Underbody	Rail Replacement Rear Side Underbody
15	Rail Sectioning Rear Side Underbody	Rail Sectioning Rear Side Underbody
16	Rail Side Underbody Gusset Replacement - Rear	Rail Underbody Gusset Replacement - Rear
17	Rail Side Underbody Reinforcement Replacement - Rear	Rail Underbody Reinforcement Replacement - Rear
18	Wheelhouse Replacement - Rear Inner	Wheelhouse Replacement - Rear Inner
19	Pillar Lock Rear Door Replacement - Inner	Pillar Lock Rear Door Replacement - Inner
20	Cross Bar No. 4 Replacement - Floor Panel	Cross Bar No.4 Replacement - Floor Panel
21	Cross Bar No. 4 Extension Replacement - Floor Panel	Cross Bar No.4 Extension Replacement - Floor Panel
22	Cross Bar No. 5 Replacement - Floor Panel Center	Cross Bar No.5 Replacement - Floor Panel
23	Pillar Lock Front Door Reinforcement Replacement - Outer	Pillar Lock Front Door Reinforcement Replacement - Outer
24	Pillar Lock Front Door Sectioning Replacement - Outer	Pillar Lock Front Door Reinforcement Sectioning - Outer
25	Pillar Lock Front Door Replacement - Inner	Pillar Lock Front Door Replacement - Inner
26	Rocker Panel Extension Replacement - Inner	Rocker Panel Extension Replacement - Inner

27	Body Side Panel Replacement - Outer	Body Side Panel Replacement - Outer
28	Rocker Panel Replacement - Inner	Rocker Panel Replacement - Inner
29	Hinge Pillar Body Replacement - Front Inner	Hinge Pillar Body Replacement - Front Inner
30	Pillar Lock Front Door Sectioning - Outer	Pillar Lock Front Door Sectioning - Outer
31	Hinge Pillar Body Sectioning - Front	Hinge Pillar Body Sectioning - Front
32	Extension Replacement Front Compartment Side Rail - Rear	Extension Replacement Front Compartment Side Rail - Rear
33	Rail Replacement Front Compartment - Side Upper	Rail Replacement Front Compartment - Side Upper
34	Rail Replacement Front Compartment - Front Half	Rail Replacement Front Compartment - Front Half
35	Rail Replacement Front Side Underbody - Outer	Rail Replacement Front Side Underbody - Outer
36	Rail Sectioning Front Compartment - Side Upper	Rail Sectioning Front Compartment - Side Upper
37	Bracket Replacement Side Rail - Front Compartment	Bracket Replacement Front Compartment - Side Rail
38	Impact Bar Bracket Replacement - Front Bumper	Impact Bar Bracket Replacement - Front Bumper
39	Cross Bar No. 1 Replacement - Floor Panel	Cross Bar No.1 Replacement - Floor Panel
40	Tie Bar Replacement - Left	Tie Bar Replacement - Left
41	Tie Bar Replacement	Tie Bar Replacement
42	Suspension Support Replacement - Front	Suspension Support Replacement - Front
43	Rail Replacement Front Compartment - Front	Rail Replacement Front Compartment - Front
44	Rail Sectioning Front Compartment - Front	Rail Sectioning Front Compartment - Front
45	Tie Bar Replacement - Right	Tie Bar Replacement - Right
46	Wheelhouse Extension Replacement - Front	Wheelhouse Extension Replacement - Front
47	Wheelhouse Replacement - Front	Wheelhouse Replacement - Front
48	Windshield Frame Reinforcement Replacement - Inner Upper	Windshield Frame Reinforcement Replacement - Inner Upper