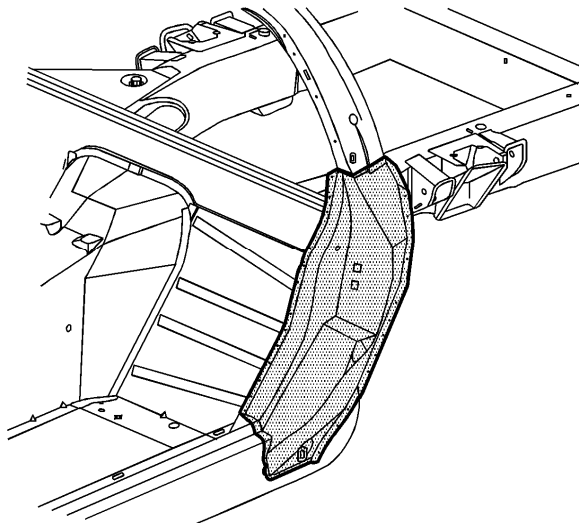


Body Lock Pillar Outer Panel Replacement

Removal Procedure

Service the replacement outer lock pillar panel as an assembly. Remove and replace the side door opening panel in order to replace the outer lock pillar panel.

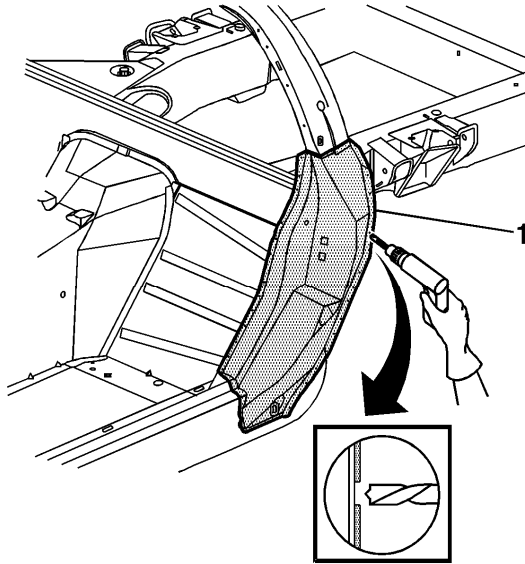
Caution: Refer to [Approved Equipment for Collision Repair Caution](#) in Cautions and Notices.



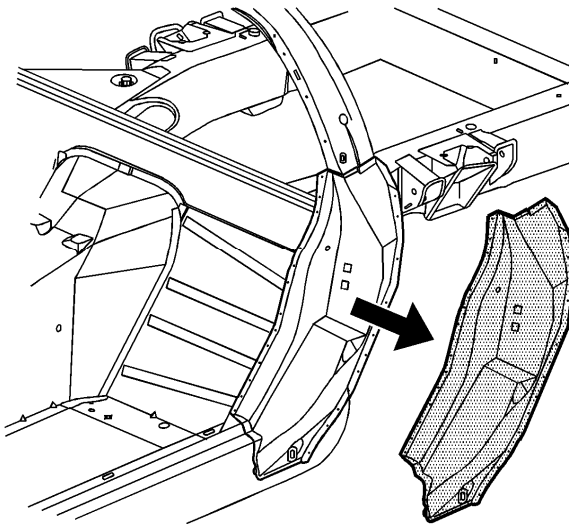
1. Disable the SIR system. Refer to [SIR Disabling and Enabling](#).
2. Disconnect the negative battery cable. Refer to [Battery Negative Cable Disconnection and Connection](#).
3. Remove all related panels and components.
4. Repair as much of the damage as possible to factory specifications. Refer to [Dimensions - Body](#).

Caution: Refer to [Sound Deadener Foam in the Lock Striker Pillars Caution](#) in Cautions and Notices.

5. Note the location of the sealers and anti-corrosion materials and remove these components from the repair area as necessary. Refer to [Anti-Corrosion Treatment and Repair](#).



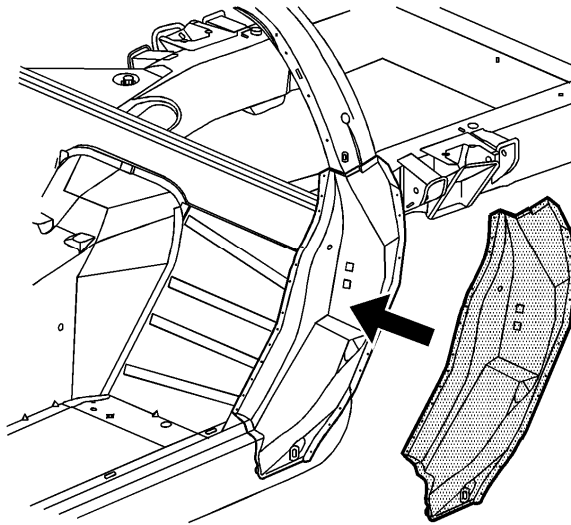
6. Locate and drill out all factory welds. Note the number and the location of the welds for installation of the replacement part.



7. Remove the damaged outer lock pillar.

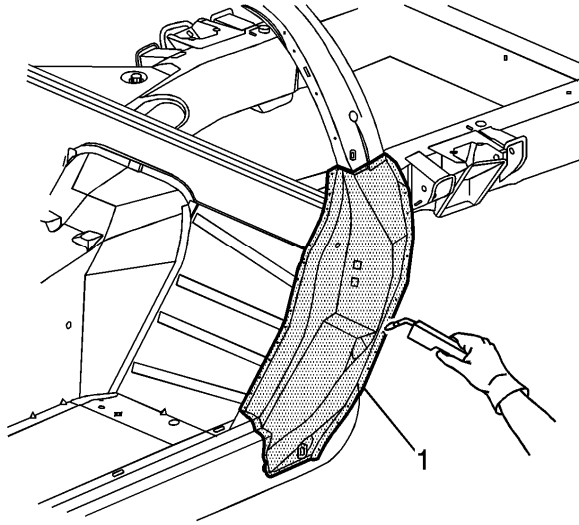
Installation Procedure

1. Drill 8 mm (5/16 in) plug weld holes in the service part as necessary in the locations noted on the original panel.
2. Prepare all attachment surfaces as necessary.
3. Apply GM-approved Weld-Thru Coating or equivalent to all mating surfaces. Refer to [Anti-Corrosion Treatment and Repair](#).



4. Position the outer lock pillar.

Caution: Refer to [Sound Deadener Foam in the Lock Striker Pillars Caution](#) in Cautions and Notices.



5. Plug weld accordingly.
 6. Apply the sealers and the anti-corrosion materials to the repair area, as necessary. Refer to [Anti-Corrosion Treatment and Repair](#).
 7. Paint the repair area. Refer to [Basecoat/Clearcoat Paint Systems](#).
 8. Install all related panels and components.
 9. Connect the negative battery cable. Refer to [Battery Negative Cable Disconnection and Connection](#).
 10. Enable the SIR system. Refer to [SIR Disabling and Enabling](#).
-