

Rear Compartment Panel Frame Replacement

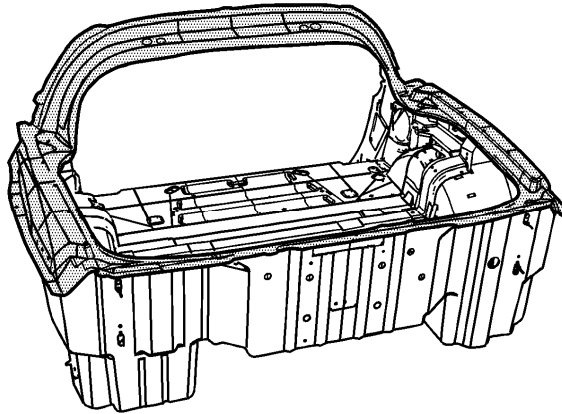
Tools Required

[J 42058](#) Frame Adapter Clamp

Removal Procedure

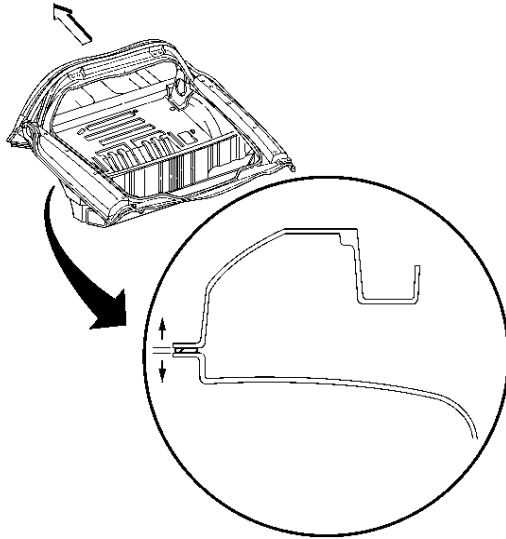
The rear compartment frame is made of sheet molded compound (SMC), and is bonded to the rear structure with structural adhesive.

Caution: Refer to [Approved Equipment for Collision Repair Caution](#) in Cautions and Notices.

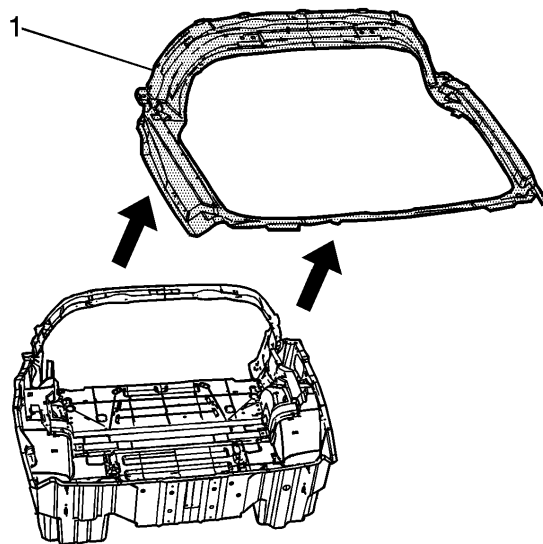


1. Disable the SIR system. Refer to [SIR Disabling and Enabling](#).

2. Disconnect the negative battery cable. Refer to [Battery Negative Cable Disconnection and Connection.](#)
3. Remove all related panels and components.



4. Remove the rear compartment frame by applying heat, and pry to detach the adhesive along the bonding surface.

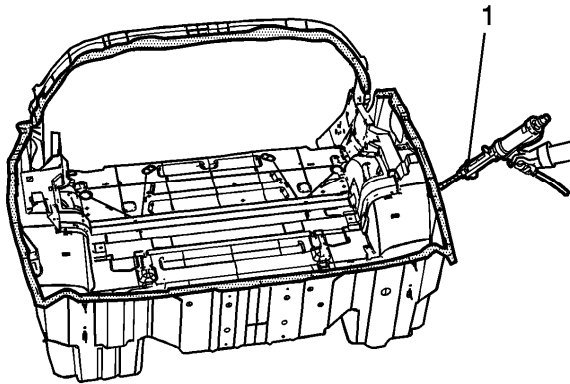


5. Remove the rear compartment frame (1).
6. Note the location of the adhesive and remove all remaining loose adhesive.
7. Inspect the rear structure and frame rails for damage.
8. Repair as much of the damage as possible to the factory specifications.
9. Use [J 42058](#) to secure the vehicle if pulling and straightening is required.

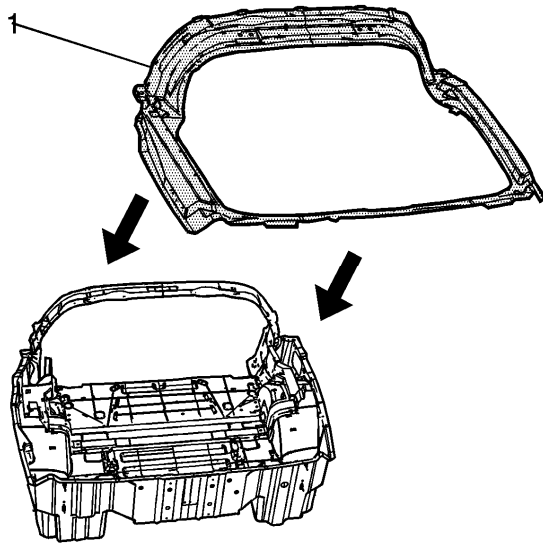
Installation Procedure

Important: Shims may be necessary to achieve proper panel alignment.

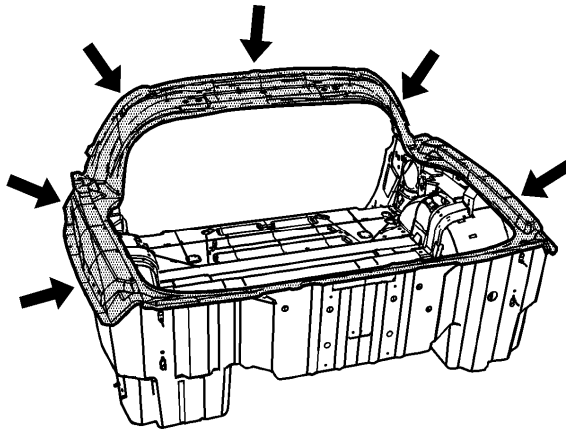
1. Before applying the adhesive, dry fit the rear compartment frame for proper fit and alignment.
2. Clean and prepare all bonding mating surfaces according to the adhesive manufacturer's recommendations.



3. Apply a consistent bead of structural adhesive (1) 10 mm (3/8 in) in diameter to the rear structure in order to mate with the rear compartment frame. Refer to [Sheet Molded Compound \(SMC\) Panel Bonding](#).



4. Install the rear compartment frame (1).



5. Apply pressure to the rear compartment frame to set the adhesive.
 6. Clamp or mechanically fasten the rear compartment frame into place.
 7. Remove any excess adhesive.
 8. Install all related panels and components.
 9. Connect the negative battery cable. Refer to [Battery Negative Cable Disconnection and Connection](#).
 10. Enable the SIR system. Refer to [SIR Disabling and Enabling](#).
-

