

Rear Compartment Panel Replacement

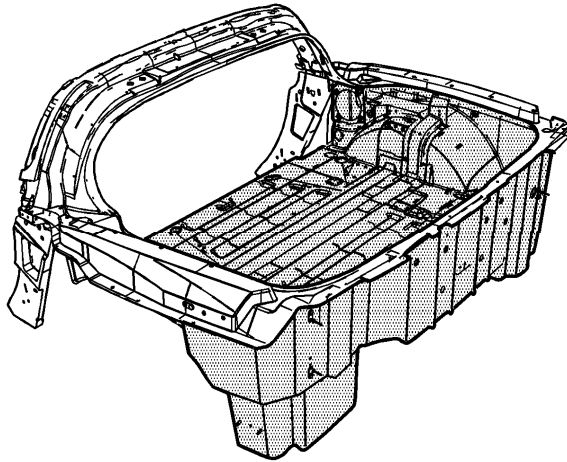
Tools Required

[J 42058](#) Frame Adapter Clamp

Removal Procedure

The rear compartment panel is made of sheet molded compound (SMC), and is bonded to the rear structure and frame rails with structural adhesive.

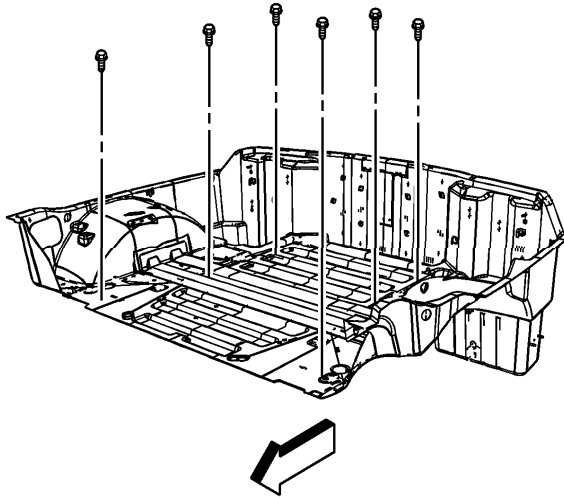
Caution: Refer to [Approved Equipment for Collision Repair Caution](#) in Cautions and Notices.



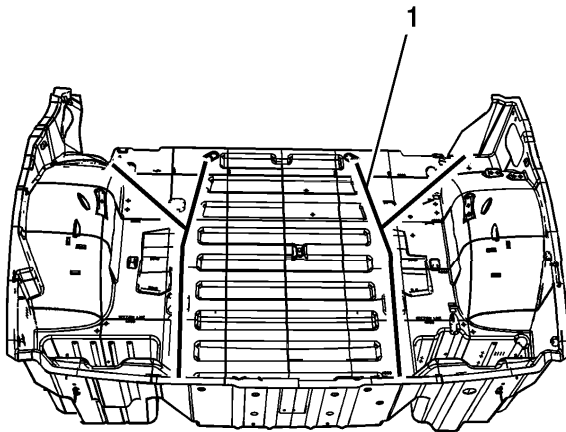
1. Disable the SIR system. Refer to [SIR Disabling and Enabling](#).
2. Disconnect the negative battery cable. Refer to [Battery Negative Cable Disconnection and Connection](#).
3. Remove all related panels and components.

Caution: Refer to [Actions to Take When Working with Fuel Caution](#) in Cautions and Notices.

4. Verify that the fuel inlet is sealed before proceeding with the repair procedure.
5. Remove the rear compartment frame panel. Refer to [Rear Compartment Panel Frame Replacement](#).

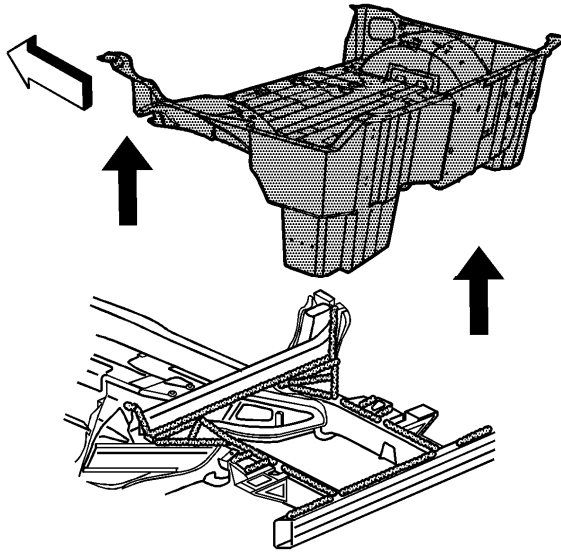


6. Remove the screws attaching the rear compartment panel to the frame rails.



Important: The front edge of the rear compartment panel is also bonded across the seatback area and along the top of the rear impact bar.

7. Remove the rear compartment panel by applying heat to the inside of the rear compartment along the bond lines (1) indicated on the floor.
8. Pry to detach the adhesive along the bonding surface.
9. The front edge of the rear compartment panel is also bonded across the seatback area and along the top of the rear impact bar. Apply heat and pry to detach the adhesive along the bonding surface.



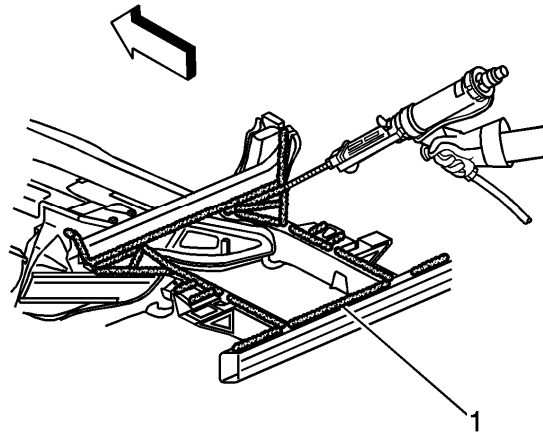
10. Remove the rear compartment panel.
11. Save all brackets, mounting studs, and accessories for transfer to the new rear compartment panel.
12. Note the location of the adhesive and remove all remaining loose adhesive.
13. Inspect the rear structure and the frame rails for damage.
14. Repair as much of the damage as possible to the factory specifications.
15. Use [J 42058](#) to secure the vehicle if pulling and straightening is required.

[Installation Procedure](#)

1. Before applying the adhesive, dry fit the rear compartment panel for proper fit and alignment.

Important: Do NOT top coat any bonding surface. Use primer only on bonding surfaces. Refer to adhesive manufacturer's recommendations.

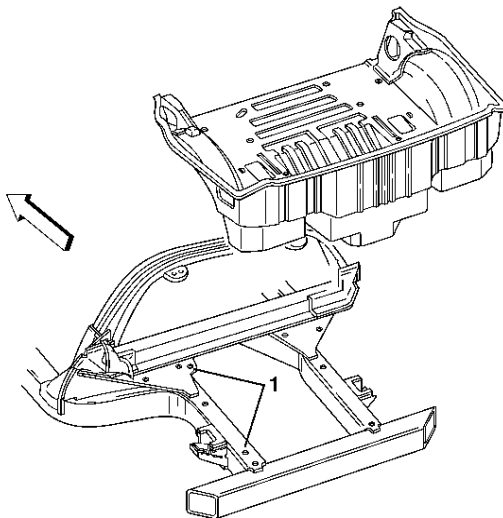
2. Clean and prepare all bonding mating surfaces according to the adhesive manufacturer's recommendations.



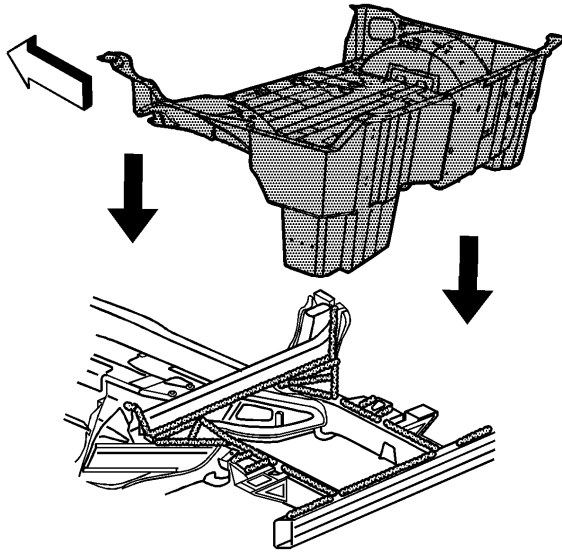
3. Apply a consistent bead of structural adhesive (1) 12 mm (1/2 in) in diameter to the following locations. Refer to [Sheet Molded Compound \(SMC\) Panel Bonding](#).

- The top of the frame rails
- The backside of the lock pillars
- Over the fuel filler neck
- To all original bonding surfaces

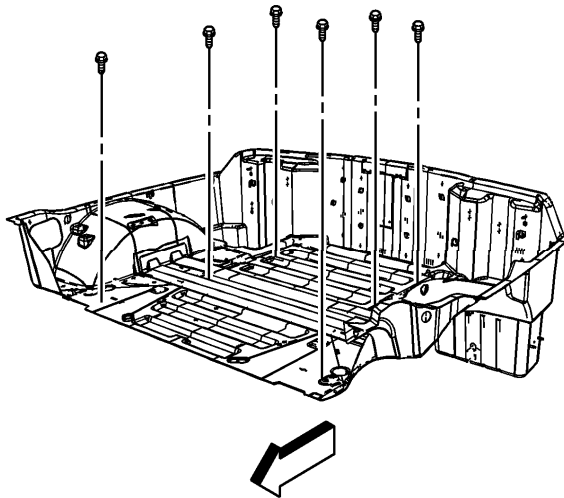
7.



8. **Important:** The rear compartment panel is positioned to the drive side frame rail using 2 dimples formed in the bottom surface of the rear compartment panel.
9. Position the rear compartment panel to the 2 holes (1) in the frame rail.



10. Install the rear compartment panel to the vehicle.
11. Apply pressure to the rear compartment panel to set the adhesive.



12. Install the screws attaching the rear compartment panel to the frame rails.
13. Clamp or mechanically fasten the rear compartment panel in place as necessary.
14. Remove any excess adhesive.
15. Install the rear compartment frame panels. Refer to [Rear Compartment Panel Frame Replacement](#).
16. Install all related panels and components.

17. Connect the negative battery cable. Refer to [Battery Negative Cable Disconnection and Connection.](#)
 18. Enable the SIR system. Refer to [SIR Disabling and Enabling.](#)
-