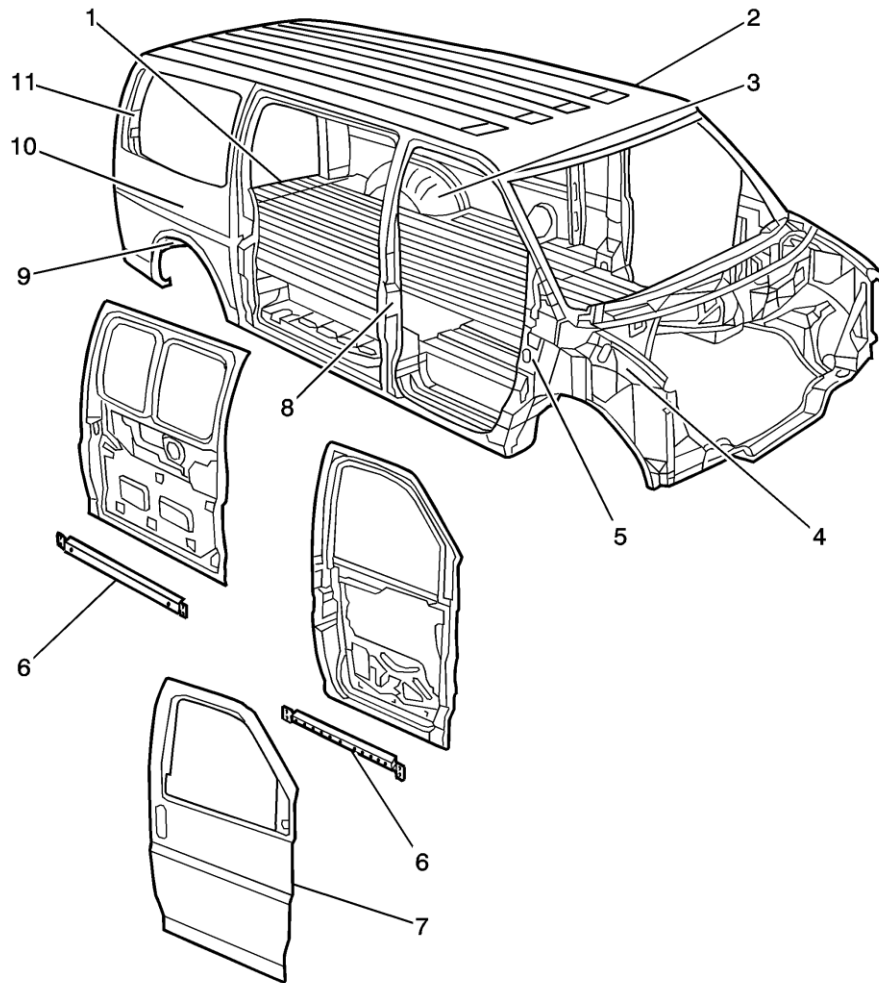


Structure Identification



Number	Description	Material	Procedure
1	Rear Floor	Mild Steel	Rear Floor Replacement
2	Roof Outer Panel	Mild Steel	Roof Outer Replacement
3	Rear Inner Wheelhouse	Mild Steel	Rear Inner Wheelhouse Replacement
4	Front Inner Fender Sectioning	Mild Steel	Front Inner Fender Sectioning
5	Front Hinge Pillar	Mild Steel	Front Hinge Pillar Sectioning
6	Inner Door Beam	Mild Steel	Not Serviced
7	Door Outer Panel	Mild Steel	Door Outer Panel Replacement
8	Outer Door Frame	Mild Steel	Outer Door Frame Sectioning
9	Rear Outer Wheelhouse	Mild Steel	Rear Outer Wheelhouse Replacement
10	Quarter Panel	Mild Steel	Quarter Panel Replacement
11	Rear Pillar	Mild Steel	Rear Pillar Sectioning

