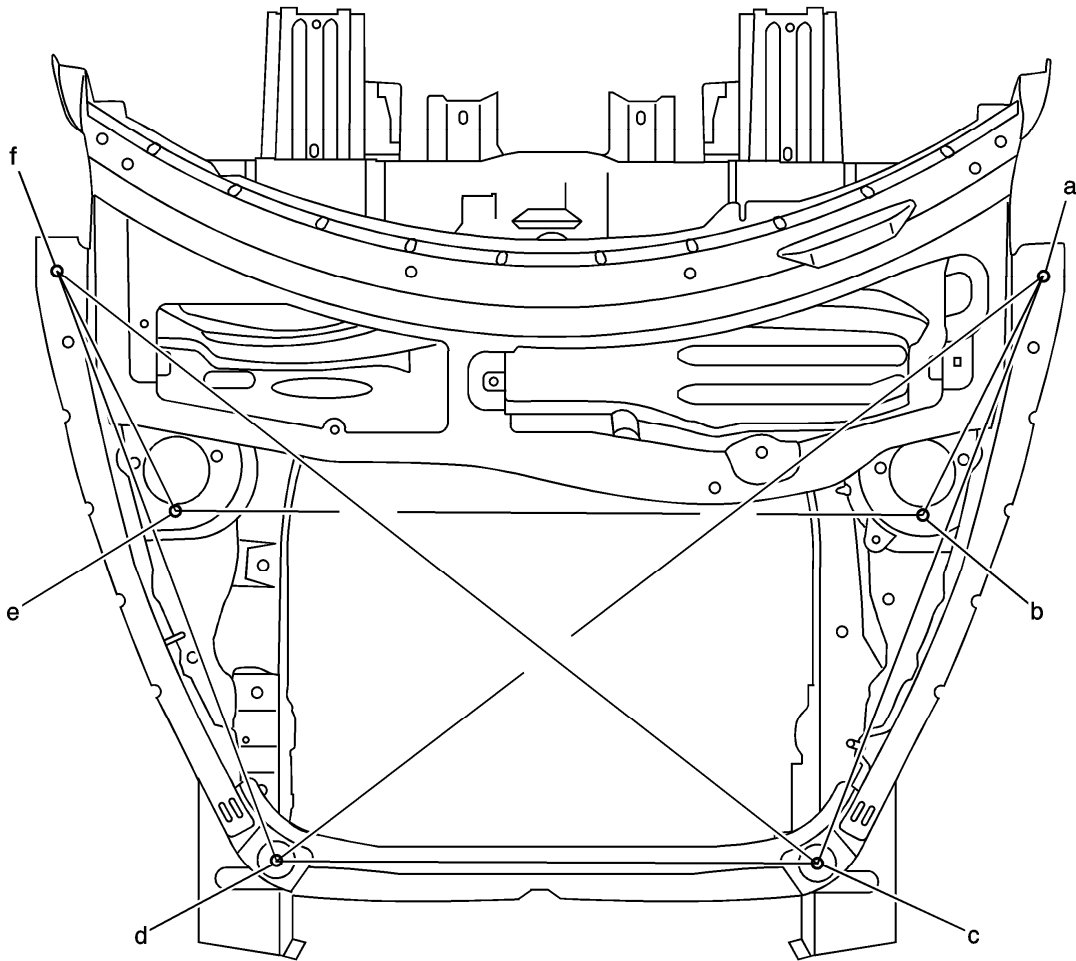


Dimensions - Body

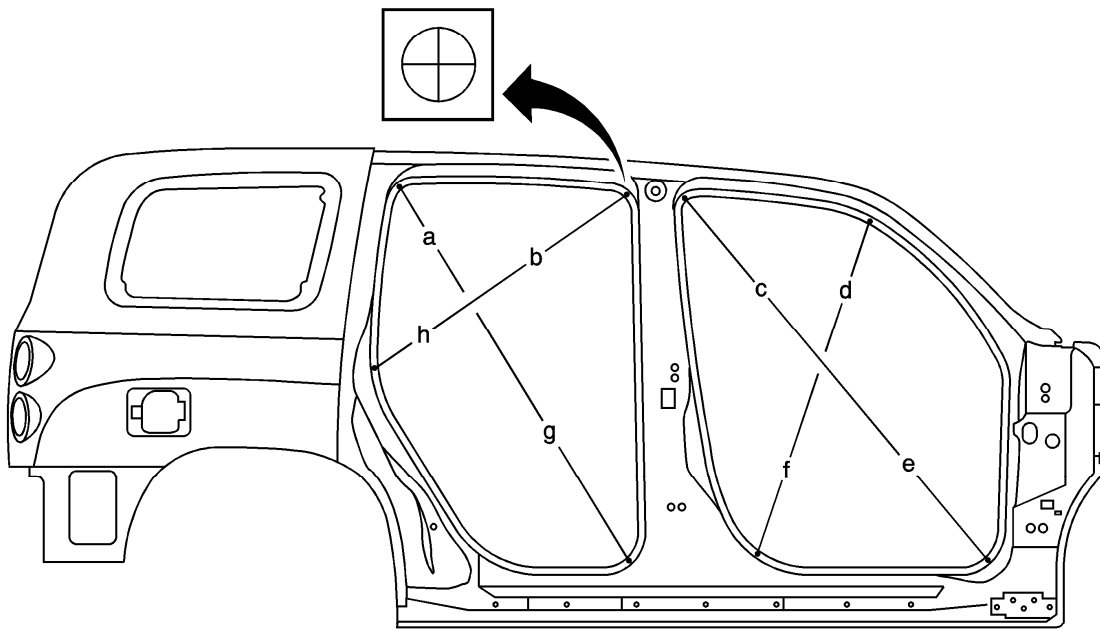
Under Hood



Point to Point	Description	Length
a to b	Upper Rail Rear Hole to Shock Tower Front Hole	377 mm
a to c	Upper Rail Rear Hole to Hood Bumper Hole Same Side	888 mm
a to d	Upper Rail Rear Hole to Hood Bumper Hole Opposite Side	1374 mm
b to e	Shock Tower Front Hole to Shock Tower Hole Opposite Side	1102 mm
d to c	Hood Bumper Hole to Opposite Side Hood Bumper Hole	782 mm

All dimensions are measured from a zero line, a center line, and a common datum. All dimensions are symmetrical unless otherwise specified.

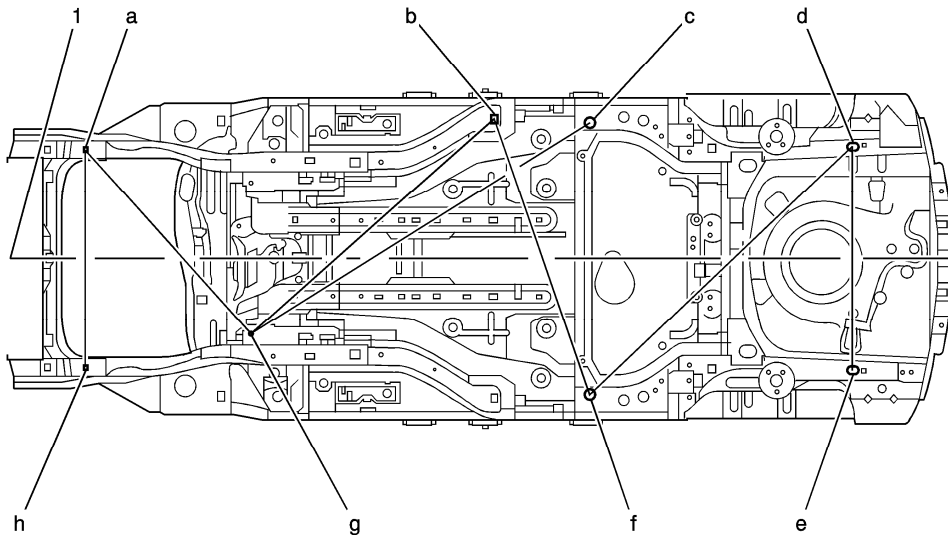
Body Side



Point to Point	Description	Length
a to g	Rear Door Opening Rear Upper Corner to Front Lower Corner, Center of Die Marks	1224 mm
b to h	Rear Door Opening Front Upper Corner to Rear Lower Corner, Center of Die Marks	866 mm
c to e	Front Door Opening Rear Upper Corner to Front Lower Corner, Center of Die Marks	1316 mm
d to f	Front Door Opening Front Upper Corner to Rear Lower Corner, Center of Die Marks	971 mm

All dimensions are measured from a zero line, a center line, and a common datum. All dimensions are symmetrical unless otherwise specified.

Underbody



Point to Point	Description	Length
a to h	Front Cradle Mount to Front Cradle Mount	938 mm
a to g	Front Cradle Mount to Rear Opposite Cradle Mount	1078 mm
b to g	Rear Slot on Front Rail to Rear Cradle Mount Opposite Side	1418 mm
b to f	Rear Slot on Front Rail to Front Hole on Opposite Side Rear Rail	1274 mm
c to g	Front Hole on Rear Rail to Rear Cradle Hole on Opposite Front Rail	1756 mm
d to f	Rear Slot on Rear Rail to Hole on Front of Rear Rail Opposite Side	1577 mm
d to e	Rear Rail Rear Slot to Rear Rail Rear Slot Opposite Side	974 mm
All dimensions are measured from a zero line, a center line, and a common datum. All dimensions are symmetrical unless otherwise specified.		
