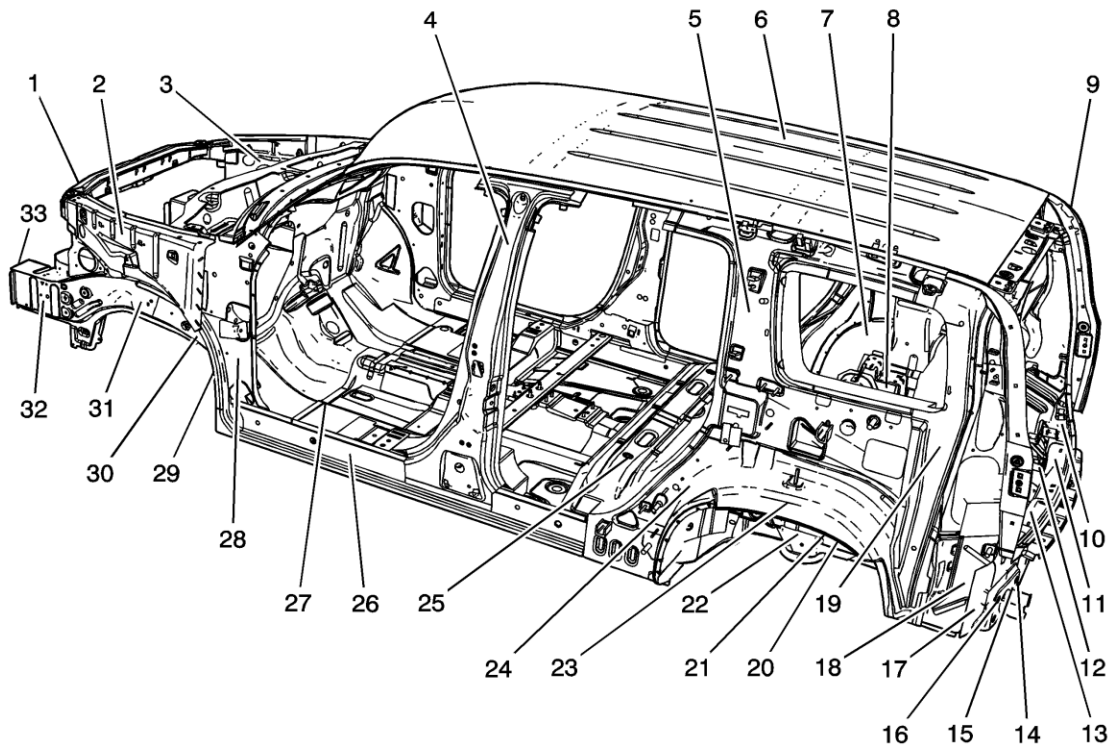


Structure Identification

Passenger Compartment



Number	Description	Material	Procedure
1	Tie Bar	Mild Steel	Front End Upper Tie Bar Replacement
2	Front Compartment Upper Side Rail	Mild Steel	Front Compartment Upper Side Rail Replacement
3	Front Wheelhouse	Mild Steel	Front Wheelhouse Replacement
4	Body Lock Pillar Outer Panel Reinforcement	High Strength Low Alloy Steel	Body Lock Pillar Outer Panel Reinforcement Sectioning
5	Body Lock Pillar Outer Panel	Mild Steel	Body Lock Pillar Outer Panel Sectioning
6	Roof Outer Panel	Mild Steel	Roof Outer Panel Replacement
7	Rear Inner Wheelhouse	Mild Steel	Rear Inner Wheelhouse Replacement
8	Rear Floor	Mild Steel	Rear Compartment Floor Panel Sectioning
9	Quarter Outer Panel	Mild Steel	Quarter Outer Panel Sectioning
10	Floor Panel Number 6 Cross Bar Extension	Mild Steel	Floor Panel Number 6 Cross Bar Extension Replacement
11	Body Rear End Panel	Mild Steel	Body Rear End Panel Replacement
12	Battery Tray	Mild Steel	Battery Tray Replacement
13	Floor Panel Number 6 Cross Bar	Mild Steel	Floor Panel Number 6 Cross Bar Replacement
14	Rear Bumper Impact Bar Anchor Plate	High Strength Low Alloy Steel	Rear Bumper Impact Bar Anchor Plate Replacement
15	Rear Rail Underbody Reinforcement	High Strength Low Alloy Steel	Rear Rail Underbody Reinforcement Replacement
16	Rear Rail Underbody Gusset	Mild Steel	Rear Rail Underbody Gusset Replacement
17	Rail Sectioning Rear Side	Mild Steel	Rail Sectioning Rear Side Underbody
18	Back Body Pillar Inner Panel Reinforcement	Mild Steel	Back Body Pillar Inner Panel Reinforcement Replacement
19	Back Body Opening Upper Frame	Mild Steel	Back Body Opening Upper Frame Replacement
20	Underbody Rear Side Rail	Mild Steel	Underbody Rear Side Rail Replacement
21	Floor Panel Number 5 Cross Bar	Mild Steel	Floor Panel Number 5 Cross Bar Replacement
22	Floor Panel Number 5 Cross Bar Extension	Mild Steel	Floor Panel Number 5 Cross Bar Extension Replacement
23	Rear Outer Wheelhouse	Mild Steel	Rear Outer Wheelhouse Replacement

24	Rear Door Inner Lock Pillar	High Strength Low Alloy Steel	Rear Door Inner Lock Pillar Replacement
25	Floor Panel Number 4 Cross Bar	High Strength Low Alloy Steel	Floor Panel Number 4 Cross Bar Replacement
26	Rocker Inner Panel	Ultra High Strength Steel	Rocker Inner Panel Replacement
27	Floor Panel Number 1 Cross Bar	Mild Steel	Floor Panel Number 1 Cross Bar Replacement
28	Front Hinge Pillar	Mild Steel	Front Hinge Pillar Body Sectioning
29	Front Side Rail Rear Extension	High Strength Low Alloy Steel	Front Compartment Side Rail Rear Extension Replacement
30	Front Rail	High Strength Low Alloy Steel	Front Compartment Front Rail Replacement
31	Front Rail Sectioning	High Strength Low Alloy Steel	Front Compartment Front Half Rail Replacement
32	Front Rail End	High Strength Low Alloy Steel	Front Compartment Front Rail Sectioning
33	Front Bumper Impact Bar Bracket	High Strength Low Alloy Steel	Front Bumper Impact Bar Bracket Replacement

