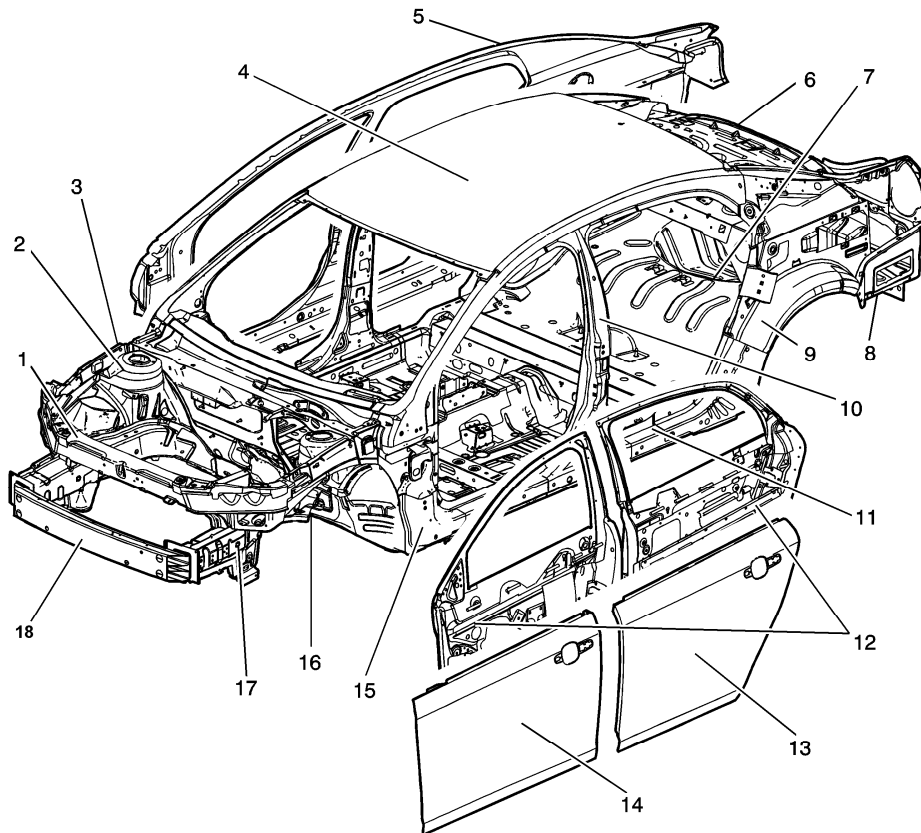


# Structure Identification



Number	Description	Material	Procedure
1	Tie Bar	<a href="#">Mild Steel</a>	<a href="#">Tie Bar Replacement</a>
2	Front Wheelhouse	<a href="#">Mild Steel</a>	<ul style="list-style-type: none"> <li>• <a href="#">Front Wheelhouse Replacement</a></li> <li>• <a href="#">Front Wheelhouse Extension Replacement</a></li> </ul>
3	Front Compartment Upper Side Rail	<a href="#">Mild Steel</a>	<a href="#">Front Compartment Upper Side Rail Replacement</a>
4	Roof Outer Panel	<a href="#">Mild Steel</a>	<a href="#">Roof Outer Panel Replacement</a>
5	Outer Bodyside Panel	<a href="#">Mild Steel</a>	<ul style="list-style-type: none"> <li>• <a href="#">Quarter Outer Panel Sectioning</a></li> <li>• <a href="#">Front Hinge Pillar Body Sectioning</a></li> <li>• <a href="#">Body Lock Pillar Outer Panel Sectioning</a></li> </ul>

6	Rear End Panel	<a href="#">Mild Steel</a>	<a href="#">Body Rear End Panel</a>
7	Rear Compartment Panel	<a href="#">Mild Steel</a>	<a href="#">Rear Compartment Floor Panel Sectioning</a>
8	Rear Side Rail	<a href="#">High Strength Low Alloy Steel</a>	<ul style="list-style-type: none"> <li>• <a href="#">Underbody Rear Side Rail Replacement</a></li> <li>• <a href="#">Rail Sectioning Rear Side Underbody</a></li> </ul>
9	Rear Inner Wheelhouse	<a href="#">Mild Steel</a>	<a href="#">Rear Inner Wheelhouse Replacement</a>
10	Center Pillar Reinforcement	<p>Inner Reinforcement Panel</p> <ul style="list-style-type: none"> <li>• <a href="#">Mild Steel</a></li> </ul> <p>Inner Reinforcement Brackets</p> <ul style="list-style-type: none"> <li>• <a href="#">Ultra High Strength Dual Phase Steel</a></li> </ul>	<a href="#">Center Reinforcement Pillar Replacement</a>
11	Rocker Inner Panel	<a href="#">Ultra High Strength Dual Phase Steel</a>	<a href="#">Rocker Inner Panel Reinforcement Replacement</a>
12	Door Inner Reinforcement Beam	<a href="#">Ultra High Strength Steel</a>	Not Serviced
13	Rear Outer Door	<a href="#">Mild Steel</a>	<a href="#">Body Rear End Panel Replacement Rear Side Door Outer Panel Replacement</a>
14	Front Outer Door Panel	<a href="#">Mild Steel</a>	<a href="#">Front Side Door Outer Panel Replacement</a>
15	Front Body Inner Hinge Pillar	<p>Inner Hinge Pillar Panel</p> <ul style="list-style-type: none"> <li>• <a href="#">Mild Steel</a></li> </ul> <p>Inner Hinge Pillar Rocker Extension</p> <ul style="list-style-type: none"> <li>• <a href="#">Dual Phase Steel</a></li> </ul>	<a href="#">Front Inner Hinge Pillar Body Replacement</a>
16	Lower Dash Panel	<a href="#">Laminate Steel</a>	Not Serviced
17	Front Compartment Lower Rail	<a href="#">High Strength Low Alloy Steel</a>	<ul style="list-style-type: none"> <li>• <a href="#">Front Compartment Front Rail Replacement</a></li> <li>• <a href="#">Front Compartment Front Rail Sectioning</a></li> <li>• <a href="#">Front Compartment Front Half Rail Replacement</a></li> <li>• <a href="#">Underbody Outer Front Side Rail Replacement</a></li> </ul>
18	Front Bumper Impact Bar	<a href="#">Ultra High Strength Steel</a>	<a href="#">Front Bumper Impact Bar Replacement</a>