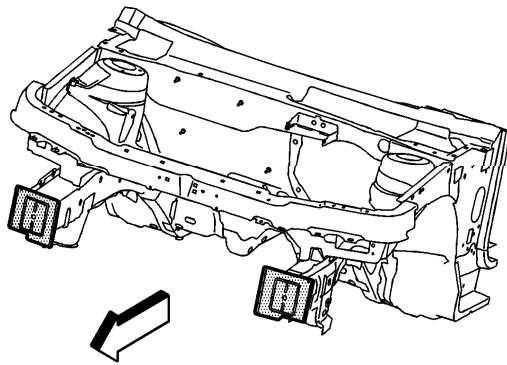


Front Bumper Impact Bar Bracket

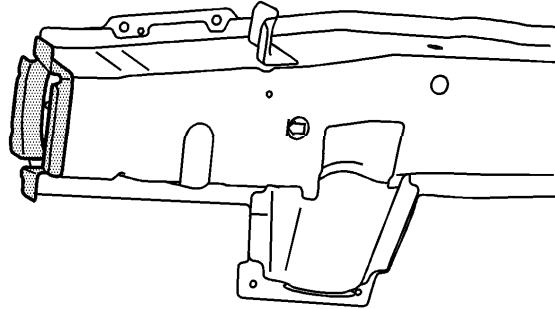
Removal Procedure

Caution: Refer to [Approved Equipment for Collision Repair Caution](#) in Cautions and Notices.

1. Disable the SIR system. Refer to [SIR Disabling and Enabling](#).
2. Disconnect the negative battery cable. Refer to [Battery Negative Cable Disconnection and Connection](#).

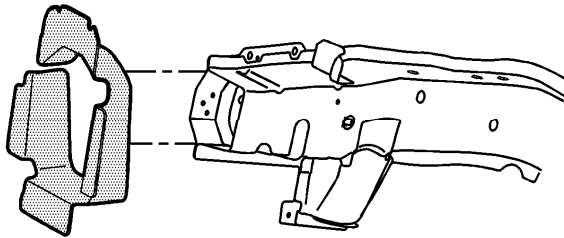


3. Remove all related panels and components.
4. Repair as much of the damage as possible. Refer to [Dimensions - Body](#).
5. Remove the sealers and anti-corrosion materials from the repair area, as necessary. Refer to [Anti-Corrosion Treatment and Repair](#).



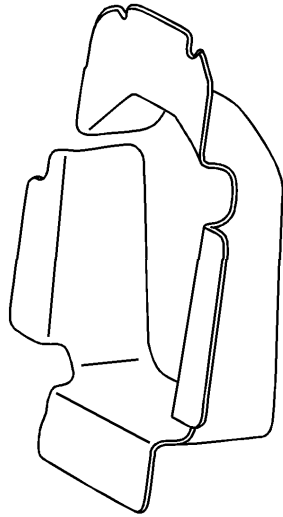
Important: Note the number and location of the factory welds for installation of the impact bar bracket - front bumper

6. Locate and drill out all the factory welds from the outside surface of the rail.

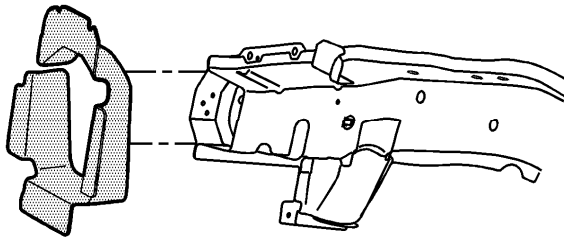


7. Remove the front bumper impact bar bracket.

[Installation Procedure](#)

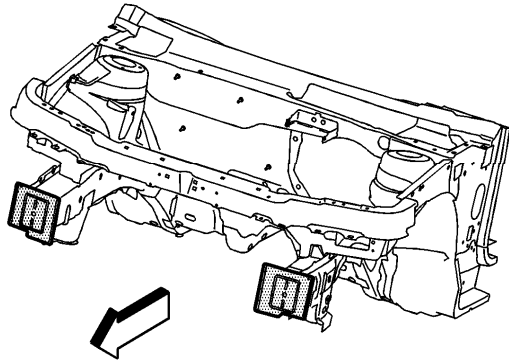


1. Prepare all mating surfaces as necessary.
2. Apply 3M Weld-Thru Coating P/N 05916 or equivalent to all mating surfaces.



Important: Verify the location of the front rail using 3-dimensional measuring equipment.

3. Position the impact bar bracket on the rail and clamp in place.



4. Plug weld accordingly.
5. Clean and prepare all of the welded surfaces.
6. Install all of the related panels and components.
7. Apply the sealers and anti-corrosion materials to the repair area, as necessary. Refer to [Anti-Corrosion Treatment and Repair](#).
8. Paint the repaired area. Refer to [Basecoat/Clearcoat Paint Systems](#).
9. Connect the negative battery cable. Refer to [Battery Negative Cable Disconnection and Connection](#).
10. Enable the SIR system. Refer to [SIR Disabling and Enabling](#).