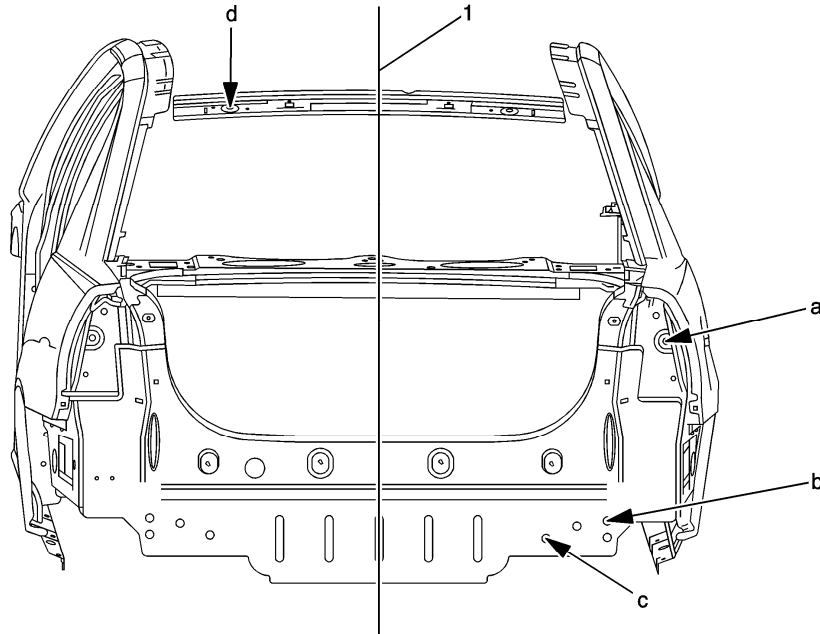


## Dimensions - Body (Sedan)

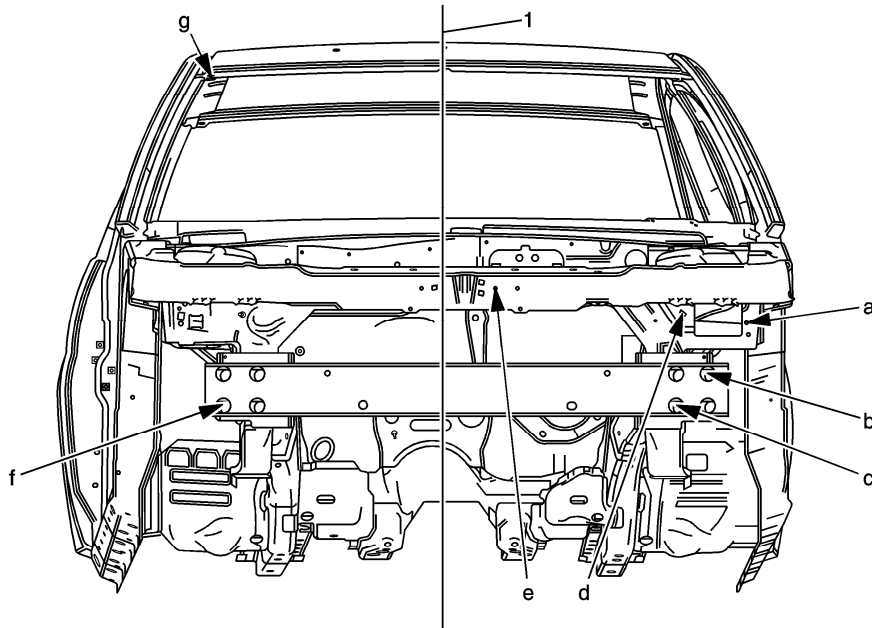
### Rear End



Location	Description	Length = x	Width = y	Height = z	Point to Point
1	Center Line	--	--	--	x
a	Rear Tail Lamp Pocket Hole	4209	753	737	x
b	Rear Impact Beam Upper Outer Attach Hole	3583	628	231	x
c	Rear Impact Beam Lower Inner Attach Hole	3569	479	185	x
d	Rear Header Panel Roof Attachment Hole	4248	207	1324	x

All dimensions are measured from a zero line, a center line, and a common datum. All dimensions are symmetrical unless otherwise specified.

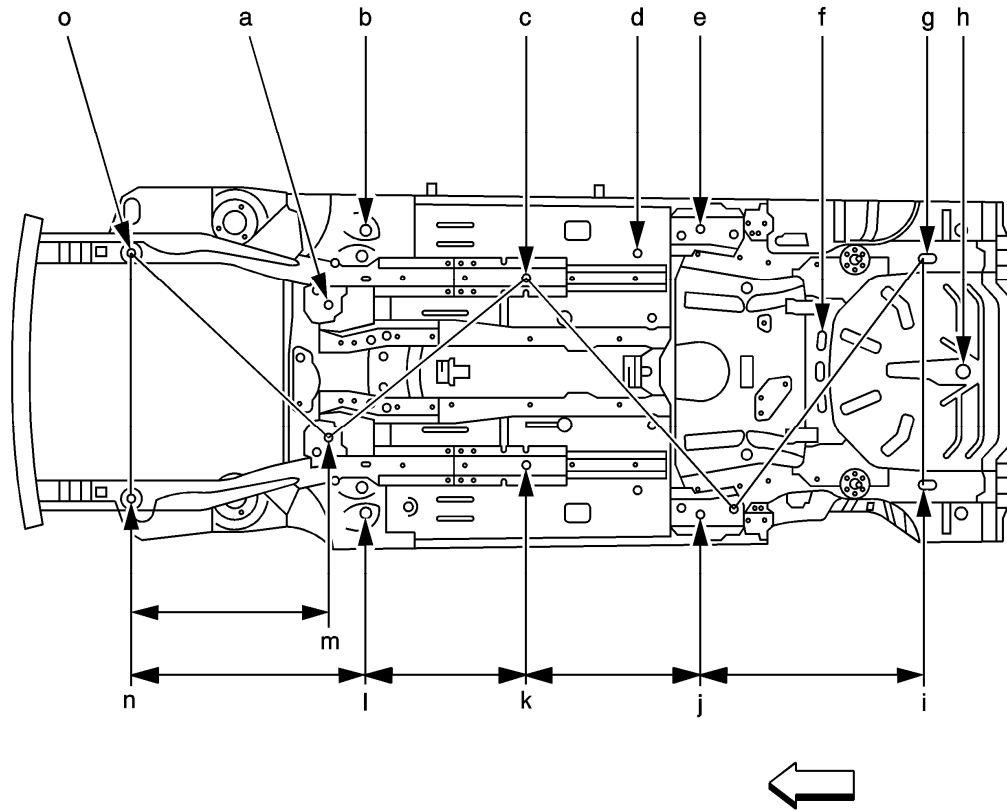
## Front End



Location	Description	Length = x	Width = y	Height = z	Point to Point
1	Center Line	--	--	--	x
a	Outboard Front Lamp Assembly Attach Hole	1282	691	603	x
b	Upper Outer Impact Bar Access Hole	967	576	450	x
c	Lower Inner Impact Bar Access Hole	946	428	375	x
d	Inboard Front Lamp Assembly Attach Hole	1646	539	647	x
e	Center Tie Bar Hole	1067	66	670	x
f	Lower Outer Impact Bar Access Hole	966	589	381	x
g	Windshield Locating Flange Hole	2772	556	1282	x

All dimensions are measured from a zero line, a center line, and a common datum. All dimensions are symmetrical unless otherwise specified.

Underbody

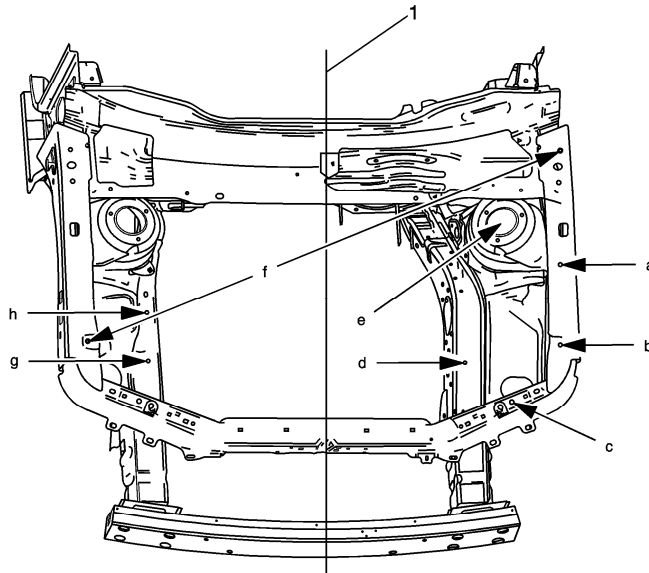


Location	Description	Length = x	Width = y	Height = z	Point to Point
a	Rear Cradle Attachment Hole	2105	300	187	x
b	Front Rail Outer Torque Box Master Gage Hole	2248	600	126	x
c	Front Rail Hole of Rear Portion	2890	410	175	x
d	Floor Pan Drain Hole Rear Hole	3408	521	139	x
e	Rear Rail Torque Box Master Gage Hole	3708	642	201	x
f	S-Bar Outer Hole	4384	146	374	x
g	Rear Rail Rear Hole	4854	487	365	x

h	Rear Compartment Floor Pan Drain Hole	5022	213	238	x
o	Front Cradle Attachment Hole	1321	490	242	x
i-j	Rear Rail Rear Hole to Rear Master Gage Hole	--	--	--	1152
j-k	Rear Master Gage Hole to Front Rail Rear Hole	--	--	--	826
k-l	Front Rail Rear Hole to Front Torque Box Master Gage Hole	--	--	--	671
l-n	Front Rail Master Gage Hole to Front Cradle Attachment Hole	--	--	--	927
m-n	Rear Cradle Attachment Hole to Opposite Front Cradle Attachment Hole	--	--	--	812
n-o	Front Cradle Attachment Hole to Opposite Front Cradle Attachment Hole	--	--	--	980
o-m	Front Cradle Attachment Hole to Opposite Rear Cradle Attachment Hole	--	--	--	1122
m-c	Front Cradle Attachment Hole to Opposite Front Rail Rear Hole	--	--	--	1089
c-j	Front Rail Rear Hole to Opposite Rear Master Gage Hole	--	--	--	1291
j-g	Rear Master Gage Hole to Opposite Rear Rail Rear Hole	--	--	--	1774
g-i	Rear Rail Rear Hole to Rear Rail Rear Hole	--	--	--	970

All dimensions are measured from a zero line, a center line, and a common datum. All dimensions are symmetrical unless otherwise specified.

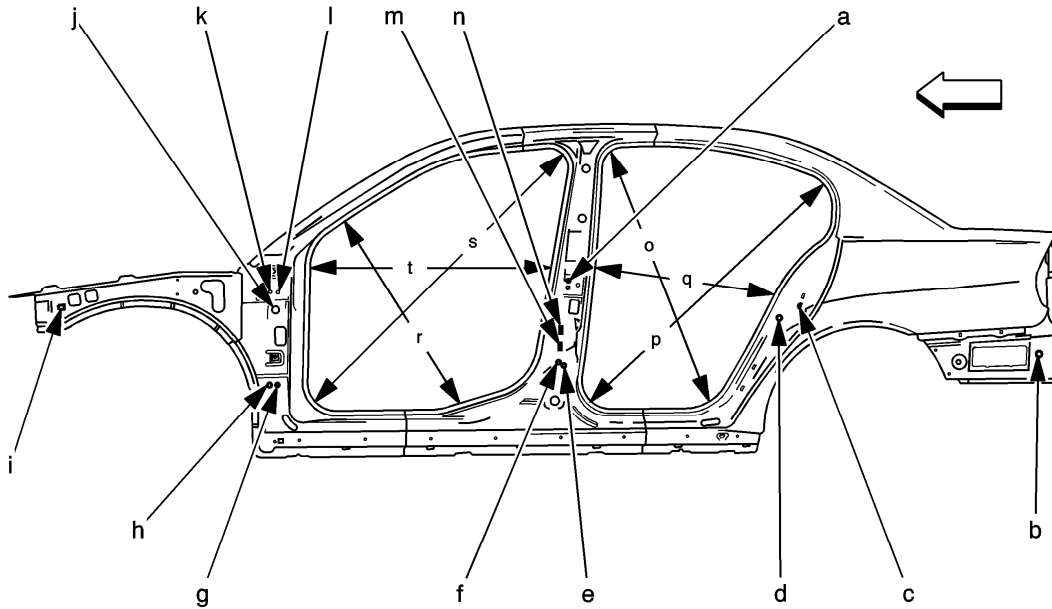
## Engine Compartment



Location	Description	Length = x	Width = y	Height = z	Point to Point
1	Center Line	--	--	--	x
a	Front Upper Rail Rear Fender Attach Hole	1657	735	813	x
b	Front Upper Front Rear Fender Attach Hole	1417	748	764	x
c	Upper Tie Rod Locating Hole	1196	570	730	x
d	Battery Tray Attach Hole	1456	500	431	x
e	Strut Tower Center Hole	1758	572	798	x
f	Front Upper Rail Front Fender Attach Hole to Rear Hinge Attach Hole	--	--	--	1585
g	Front Engine Mount Hole Rail Surface Not Top of Stud	1422	486	513	x
h	Rear Engine Mount Hole Rail Surface Not Top of Stud	1579	478	492	x

All dimensions are measured from a zero line, a center line, and a common datum. All dimensions are symmetrical unless otherwise specified.

Sedan Side



Location	Description	Length = x	Width = y	Height = z	Point to Point
a	Rear Upper Hinge Upper Hole	3295	793	805	x
b	Body Side Filler Control Hole	5172	761	525	x
c	Rear Latch Striker Lower Hole	4201	784	661	x
d	Body Side Control Hole	4127	742	661	x
e	Rear Lower Hinge Rear Hole	3282	793	492	x
f	Rear Lower Hinge Front Hole	3255	793	492	x
g	Front Lower Hinge Rear Hole	2204	801	423	x
h	Front Lower Hinge Front Hole	2177	801	423	x
i	Front Rail Control Hole	1420	791	719	x
j	Body Side Control Hole	2200	791	695	x
k	Front Upper Hinge Front Hole	2179	791	759	x
l	Front Upper Hinge Front Hole	2206	791	759	x
m	Front Door Latch Striker Upper Hole	3266	807	630	x

n	Front Door Latch Striker Lower Hole	3265	809	576	x
o	Rear Door Opening to Weld Flange Die Marks	--	--	--	1027
p	Rear Door Opening to Weld Flange Die Marks	--	--	--	1250
q	Rear Door Opening to Weld Flange Die Mark	--	--	--	755
r	Front Door Opening to Weld Flange Die Mark	--	--	--	843
s	Front Door Opening to Weld Flange Die Mark	--	--	--	1341
t	Front Door Opening to Weld Flange Die Mark	--	--	--	912

All dimensions are measured from a zero line, a center line, and a common datum. All dimensions are symmetrical unless otherwise specified.