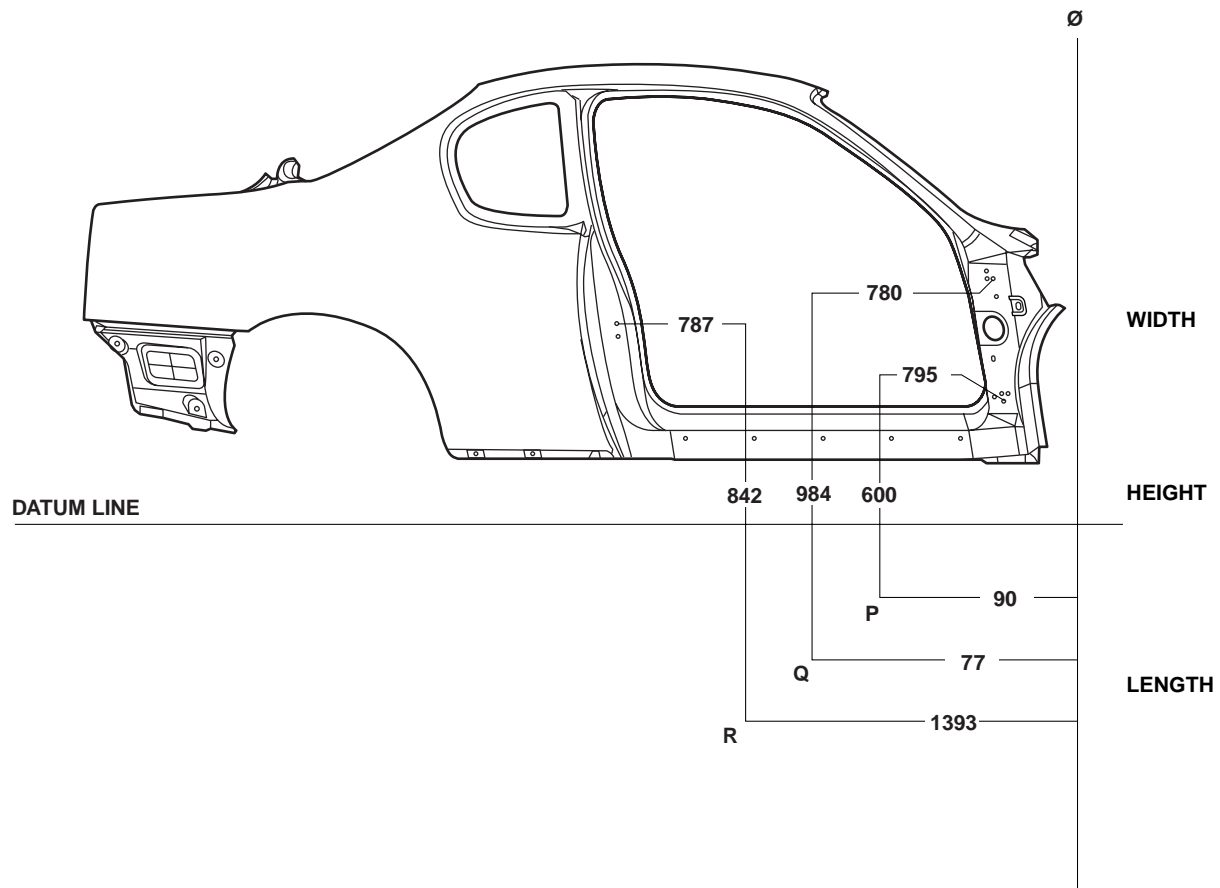


Body Side Dimensions – 2000 Monte Carlo



Description	Location	Length	Width	Height
Door hinge attach	P	90	795	600
Door hinge attach	Q	77	780	984
Door lock stricker attach	R	1393	787	842

All dimensions are measured in millimeters, from a zero line, center line, and a common datum. All dimensions are symmetrical, unless otherwise specified.