

Dimensions - Body

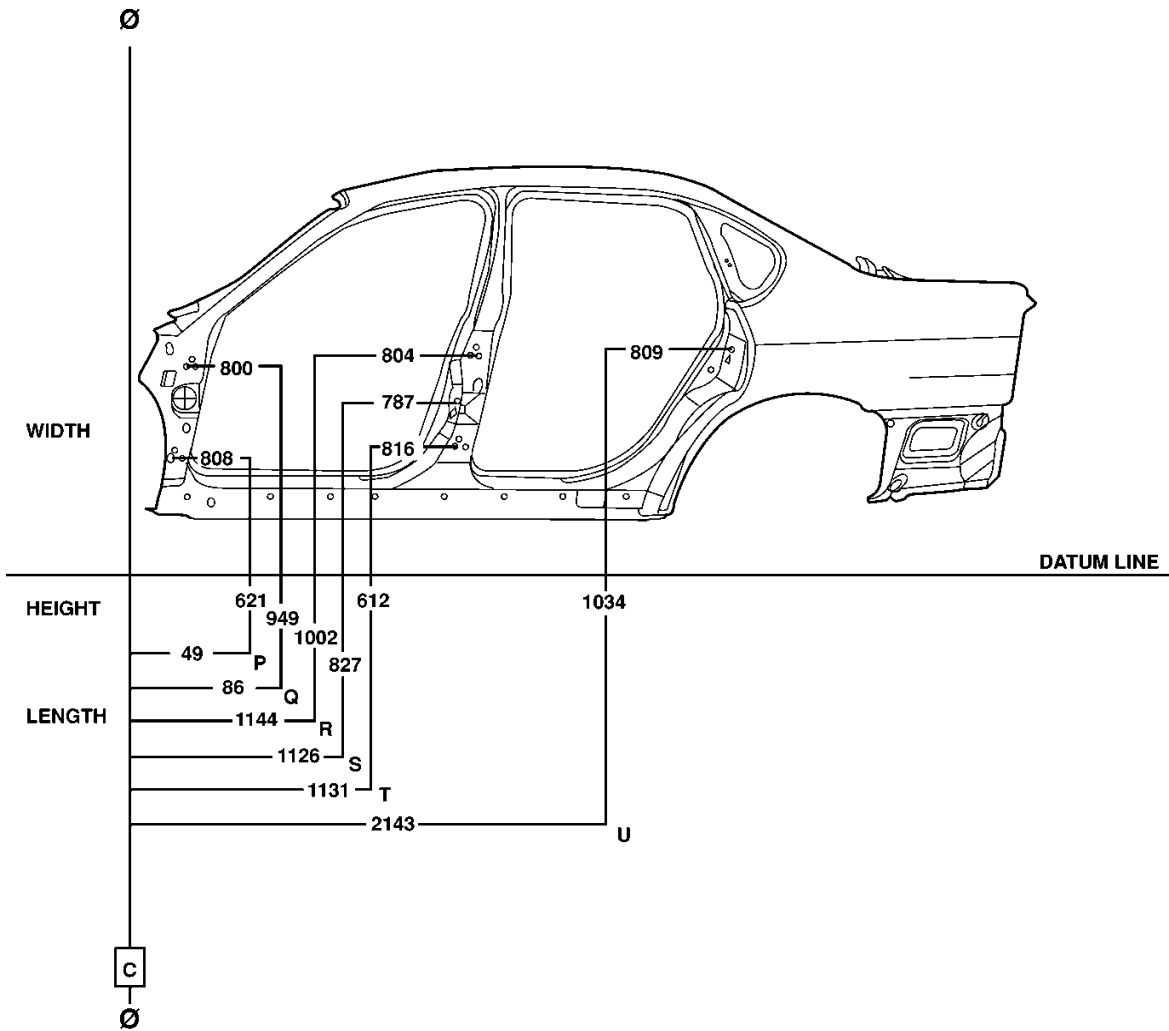
Table 1: [Dimensions - Body \(Impala\)](#)

Table 2: [Dimensions - Body \(Impala/Monte Carlo\)](#)

Table 3: [Dimensions - Body \(Impala/Monte Carlo\)](#)

Table 4: [Dimensions - Body \(Monte Carlo\)](#)

Impala

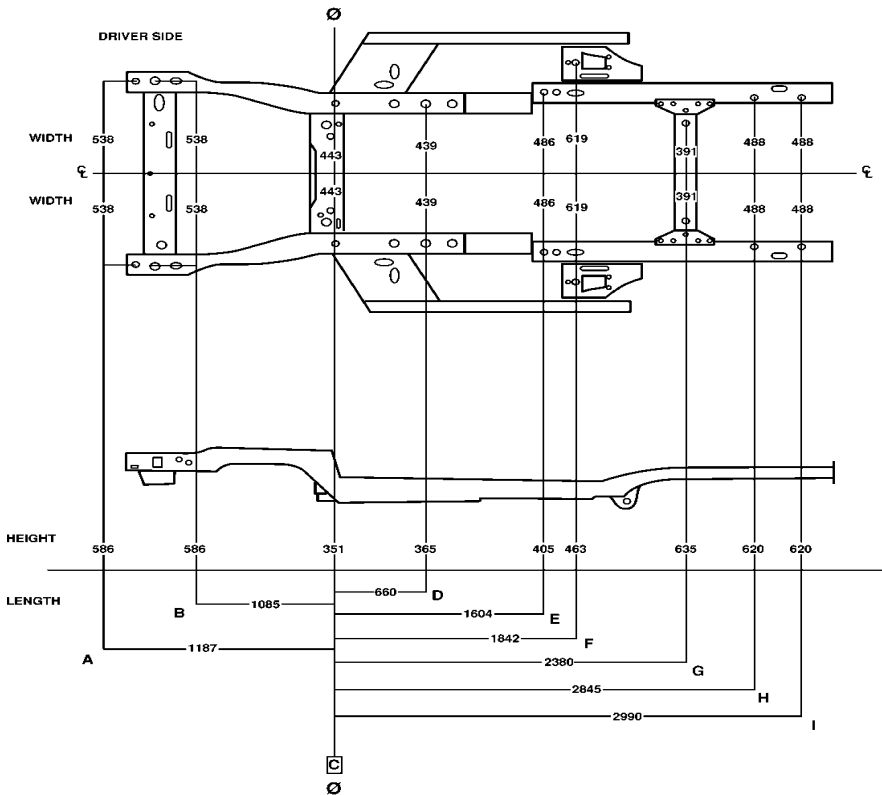


Dimensions - Body
(Impala)

Reference Number	Length (mm)	Width (mm)	Height (mm)	Feature Size
P	49	808	621	Door hinge attach
Q	86	800	949	Door hinge attach
R	1144	804	1002	Door hinge attach
S	1126	787	827	Door lock striker attach
T	1131	816	672	Door hinge attach
U	2143	809	1034	Door lock striker attach

All dimensions are measured in millimeters, from a zero line, center line, and a common datum. All dimensions are symmetrical unless otherwise specified.

Underbody

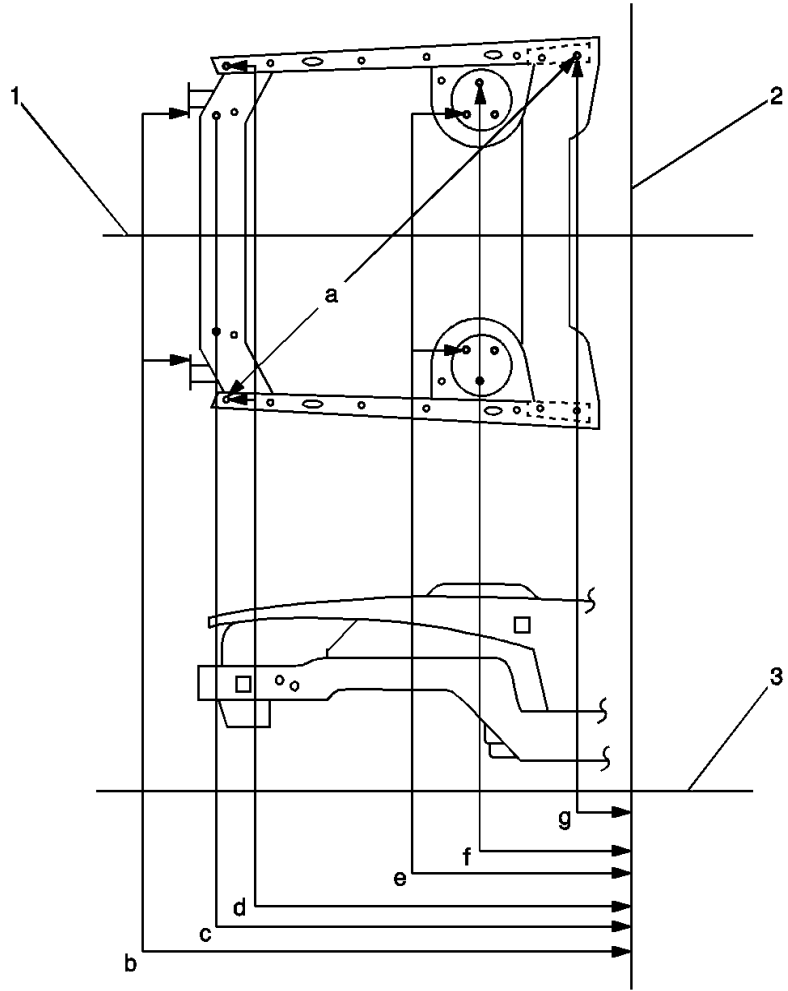


	Length (mm)	Width (mm)	Height (mm)	Feature Size

<u>Dimensions - Body</u> <u>(Impala/Monte Carlo)</u>				
Reference Number				
A	1187	538	586	38 mm gage hole
B	1085	538	596	22 mm cradle attach
C	0	443	351	12 mm center line
D	660	439	365	16 mm gage hole
E	1604	486	405	19 mm gage hole
F	1842	619	463	12 mm gage hole
G	2845	488	620	18x21 mm gage slot
H	2380	391	635	30 mm gage hole
I	2990	488	620	19x23 mm gage slot

All dimensions are measured in millimeters, from a zero line, center line, and a common datum. All dimensions are symmetrical unless otherwise specified.

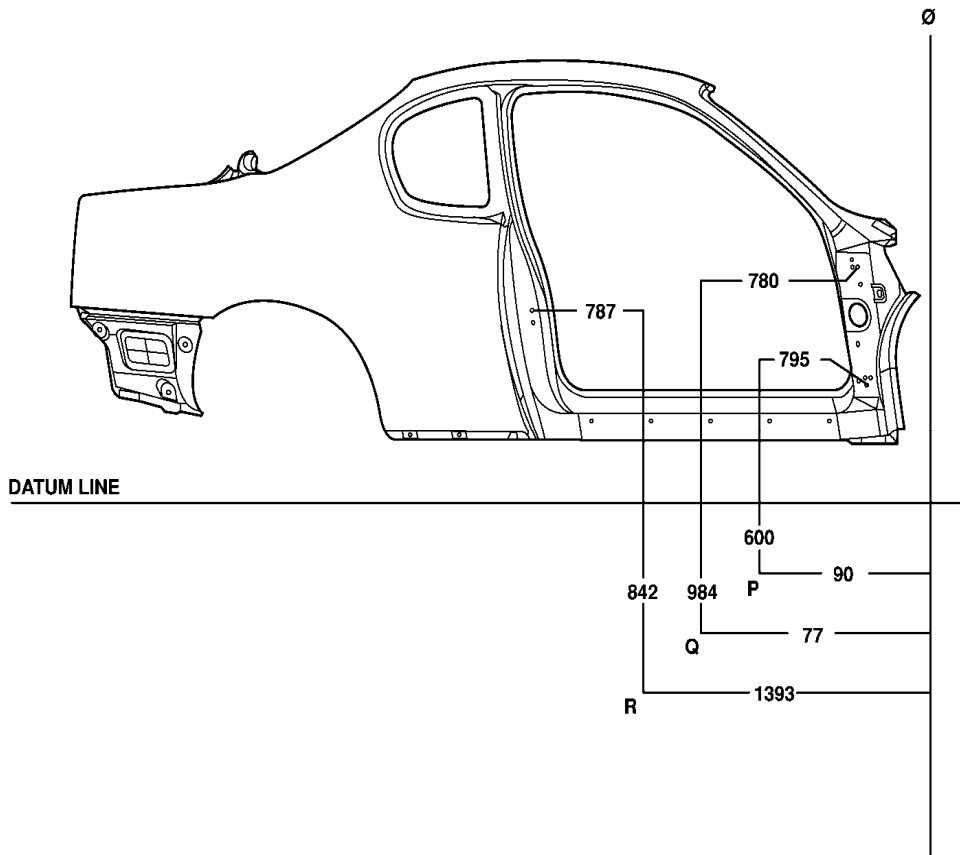
Engine Compartment



<u>Dimensions - Body (Impala/Monte Carlo)</u>	Description	Length (mm)	Width (mm)	Height (mm)
Location				
1	Center Line	--	--	--
2	Zero Line	--	--	--
3	Datum Line	--	--	--
a	Point to Point	1691	0	0
b	Bumper Attachment	1255	450	606
c	Support Brace Attachment	1106 R 1132 L	468 R 319 L	922
d	Fender Attachment	988	710	921
e	Suspension Attachment	448	551	1043
f	Suspension Attachment	401	664	1054
g	Hood Hinge Attachment	155	754	1064

All dimensions are measured from a zero line, center line, and a common datum. All dimensions are symmetrical unless otherwise specified.

Monte Carlo



<u>Dimensions - Body (Monte Carlo)</u>				
Reference Number	Length (mm)	Width (mm)	Height (mm)	Feature Size
P	90	795	600	Door hinge attach
Q	77	780	984	Door hinge attach
R	1393	787	842	Door lock striker attach

All dimensions are measured in millimeters, from a zero line, center line, and a common datum. All dimensions are symmetrical unless otherwise specified.