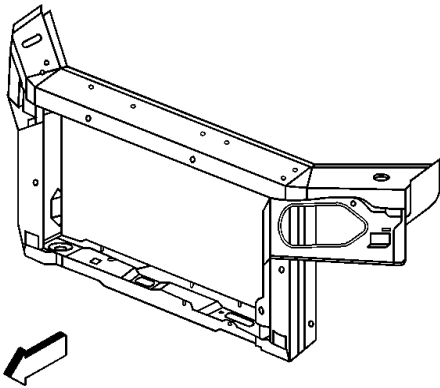


# Radiator Support Description

## [Radiator Support Assembly](#)



The radiator support can be serviced as a complete assembly.

The radiator is made up of 5 major components:

- Four upper
- One lower

## [Upper Radiator Support](#)

The upper radiator support is an assembly consisting of four components:

- Two-piece upper tie bar
- Left and Right engine compartment front panels

## [Lower Radiator Support](#)

The lower radiator support is available as a separate replaceable component if necessary.