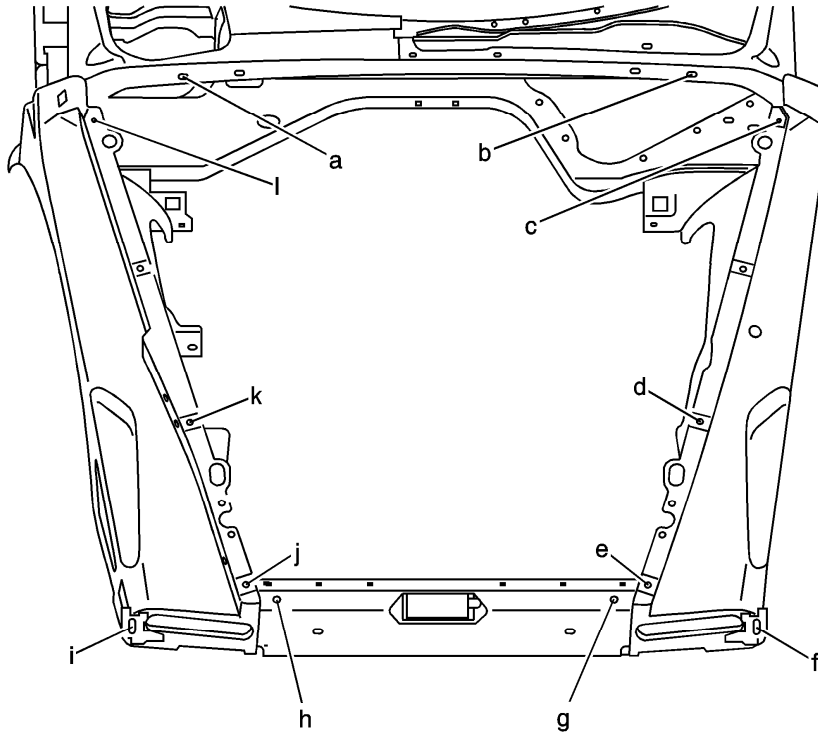


Dimensions - Body (Motor Compartment)



Description	From	To	Distance
Point to Point Diagonal Dimensions			
• Plenum - Fender Rail	A	E	1227 mm
• Plenum - Fender Rail	B	J	1227 mm
• Fender Rail	L	E	1293 mm
• Fender Rail	C	J	1293 mm
• Plenum - Tie-Bar	A	G	1154 mm
• Plenum - Tie-Bar	B	H	1154 mm

Point to Point Measurements			
• Plenum Panel	A	B	900 mm
• Fender Rail	L	C	1207 mm
• Fender Rail	K	D	894 mm
• Fender Rail	J	E	707 mm
• Fascia Bracket	I	F	1108 mm
• Plenum - Fender Rail	A	J	931 mm
• Plenum - Tie-Bar	A	H	889 mm
• Plenum - Fender Rail	B	E	931 mm
• Plenum - Tie-Bar	E	G	889 mm