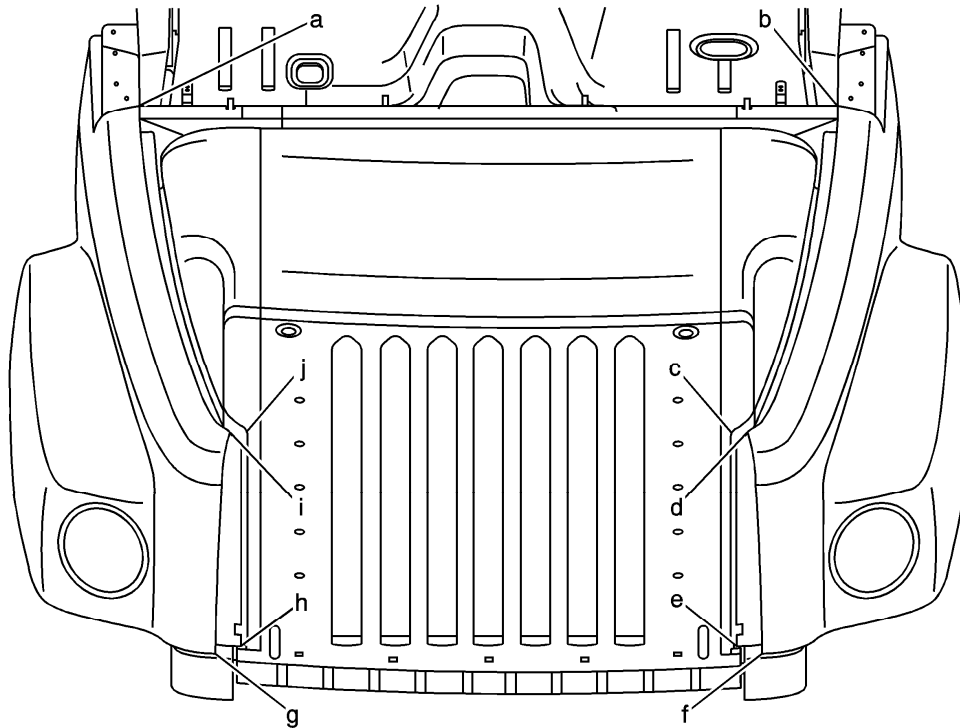


## Dimensions - Body (Rear Compartment)



Description	From	To	Distance
Point to Point Diagonal Measurements			
• Bed Cover Opening	A	C	1800 mm
• Bed Cover Opening	A	D	1842 mm
• Bed Cover Opening	B	J	1800 mm
• Bed Cover Opening	B	I	1842 mm
• Tailgate Opening - Inner	J	E	1113 mm

• Tailgate Opening - Inner	C	H	1113 mm
• Tailgate Opening - Outer	I	F	1206 mm
• Tailgate Opening - Outer	D	G	1206 mm
Point to Point Measurements			
• Bed Cover Opening	A	B	1464 mm
• Bed Cover Opening	J	C	1018 mm
• Tailgate Opening	I	D	1082 mm
• Tailgate Opening	H	E	1018 mm
• Tailgate Opening	G	F	1140 mm