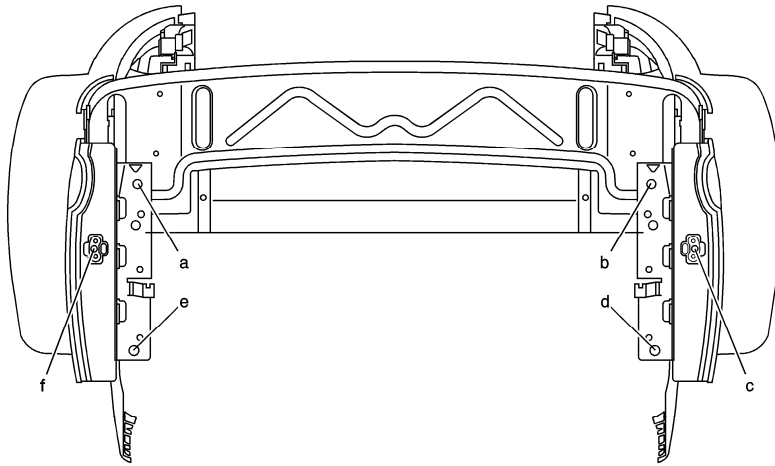


Dimensions - Body (Rear Panel Opening)



Description	From	To	Distance
Point to Point Diagonal Measurements			
• Rear Panel Opening	A	B	1417 mm
• Rear Panel Opening	B	E	1417 mm
Point to Point Measurements			
• Rear Panel Opening	A	B	1343 mm
• Rear Panel Opening	A	E	435 mm
• Rear Panel Opening	B	D	435 mm
• Rear Panel Opening	C	F	1565 mm
• Rear Panel Opening	D	E	1353 mm