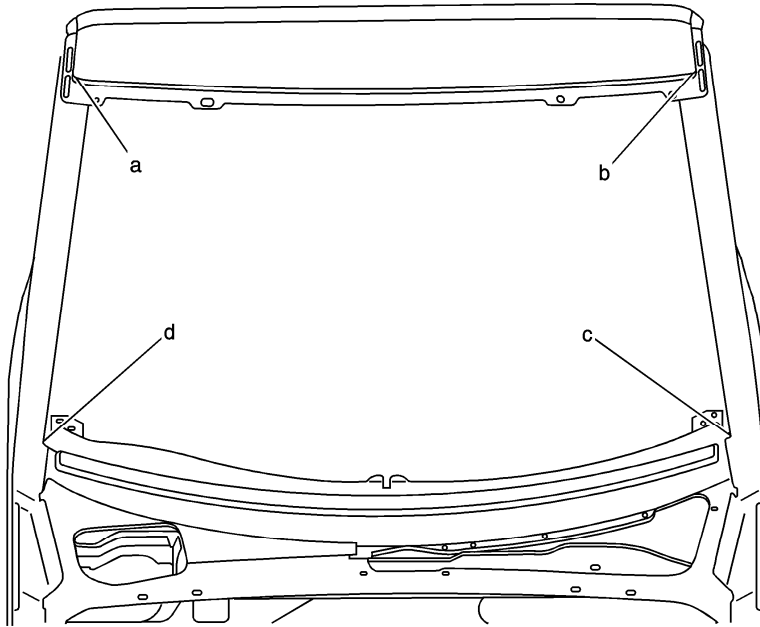


Dimensions - Body (Windshield Opening)



Header	Header	Header	Header
Point to Point Diagonal Measurements			
• Windshield Opening	A	C	1384 mm
• Windshield Opening	B	D	1384 mm
Point to Point Measurements			
• Windshield Opening	A	B	1142 mm
• Windshield Opening	A	D	684 mm
• Windshield Opening	B	C	684 mm
• Windshield Opening	C	D	1269 mm