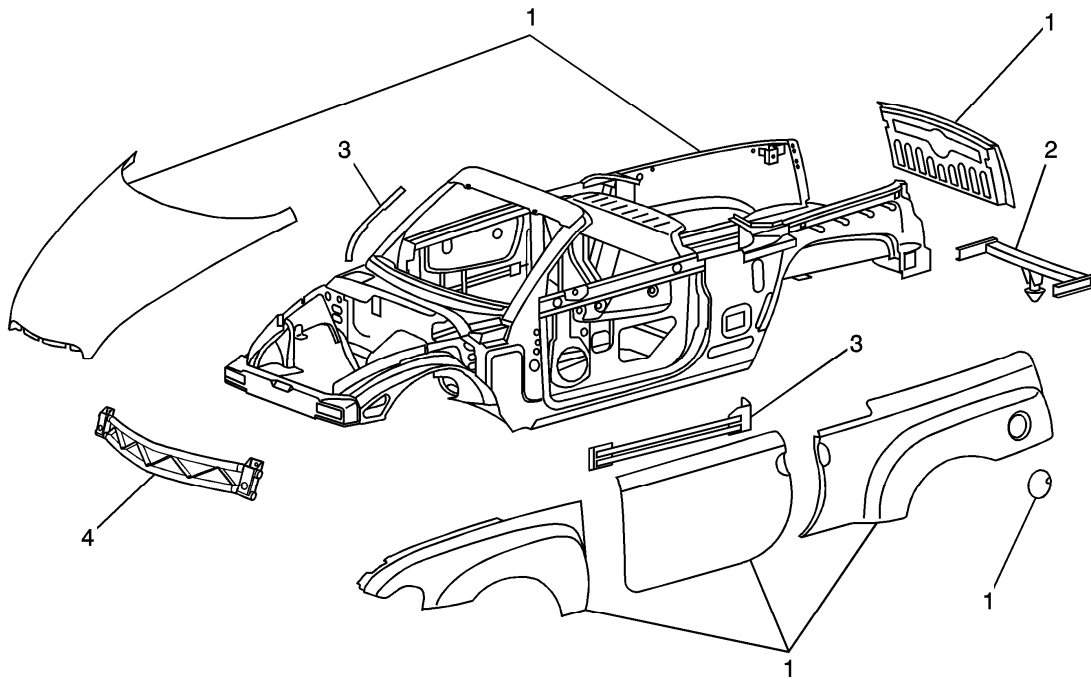


Panel Identification (Metal)

Different materials require different procedures for repair and refinishing. Before starting any repair, identify the type of material involved and follow the correct procedure.



- (1) Two-Sided Galvanized Steel
- (1) Two-Sided Galvanized Steel
- (1) Two-Sided Galvanized Steel
- (1) Two-Sided Galvanized Steel
- (2) HSS High Strength
- (3) HSLA High Strength Low Alloy
- (4) Mild Steel