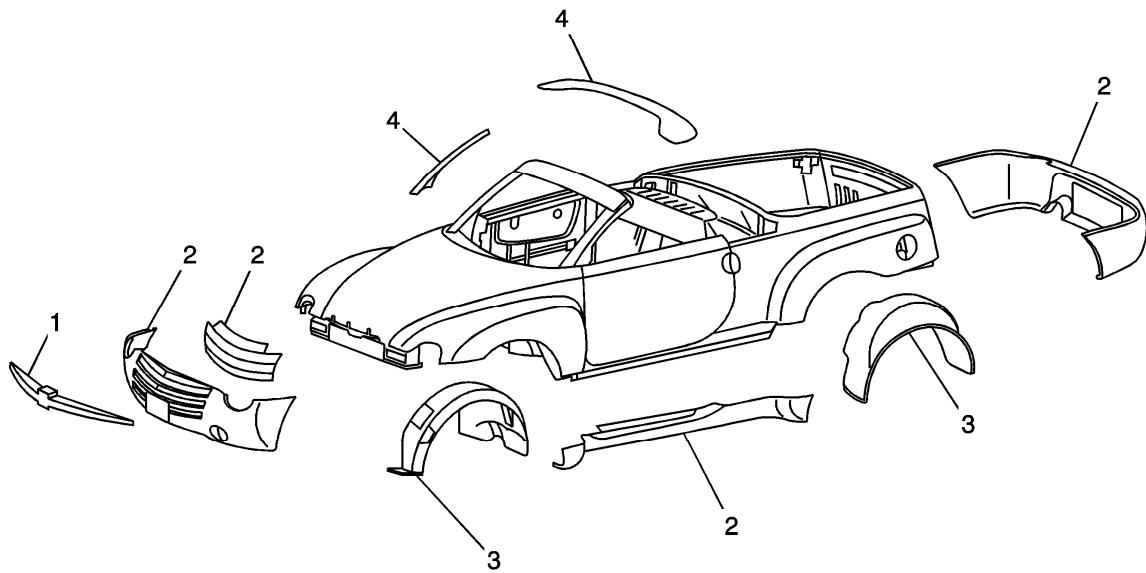


## Panel Identification (Plastic)

Different materials require different procedures for repair and refinishing. Before starting any repair, identify the type of material involved and follow the correct procedure. Refer to [General Plastic Repair Instructions](#) in Plastic Panel Information and Repair.



- (1) ABS
- (2) TPO
- (2) TPO
- (2) TPO
- (2) TPO
- (3) Polypropylene
- (3) Polypropylene
- (4) SMC Sheet Molded Compound
- (4) SMC Sheet Molded Compound

<b>Identifying Symbol</b>	<b>Chemical Composition or Plastic "Family" Name</b>	<b>Typical Area where Used</b>	<b>Common or Trade Names</b>
PE	Polyethylene	Inner Fender Panels, Valances, Spoilers, Inner Trim Panels, Seatbelt Covers, Gas Tank Shields	Dylan, Fortiflex, Marlex, Alathon, Hi-Fax, Hosalen, Paxon
PP	Polypropylene	Kick Panels, Deflector Panels, Cowl Panels, Interior Moldings, Radiator Shrouds, Inner Fenders, Bumper Covers	Profax, Oleflo, Marlex, Azdel, Novolen, Tenite, Daplen, Escorene
ABS	Acrylonitrile/Butadiene/Styrene	Instrument Clusters, Trim Moldings, Consoles, Armrest Supports, Steering Column Jackets	ABS, Cicolac, Abson, Kralastic, Lustran, Absafil, Dyel
ABS + PC	Acrylonitrile/Butadiene-Styrene + Polycarbonate	Instrument Panels, Exterior Door Panels, Rocker Panel Covers	Babyland, Proloy, Cicoloy, KHA
TPO	Ethylene/Polypropylene (Rubber)	Bumper Covers	TPO, TPR (Thermoplastic Rubber) EPI, EPII