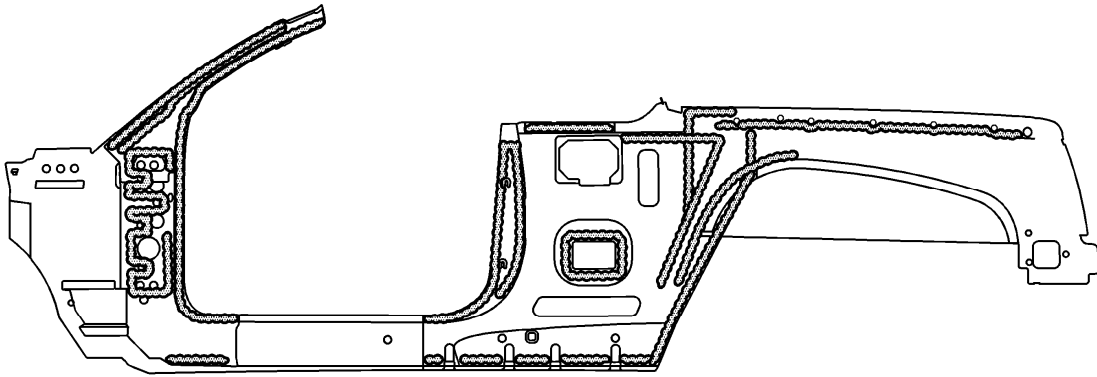


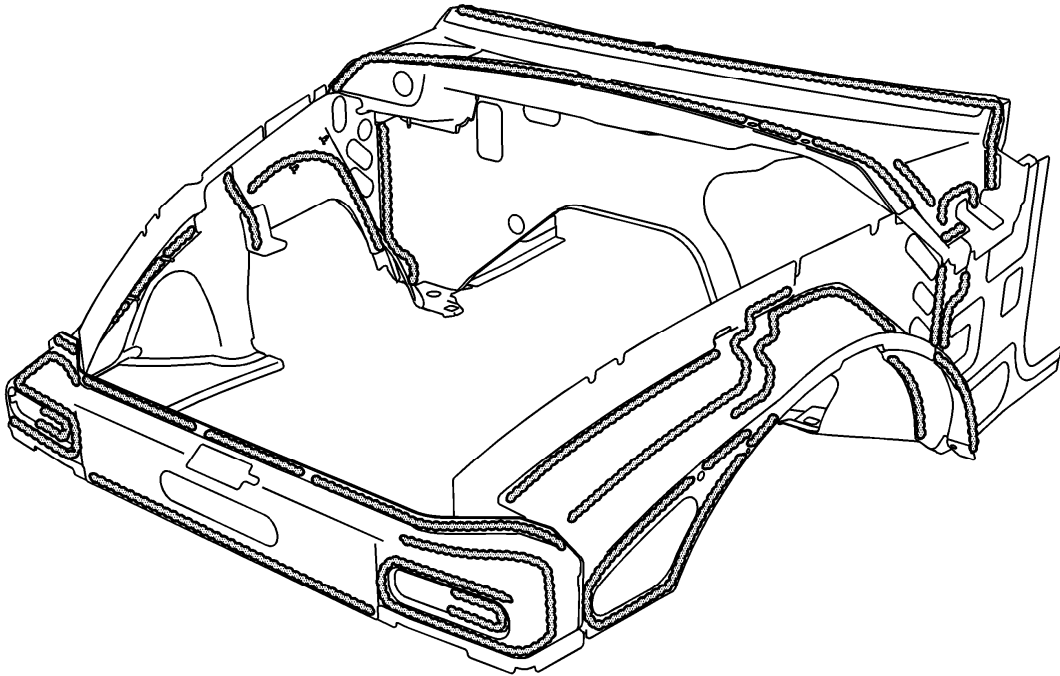
# Structure Adhesive Identification

## Body Side



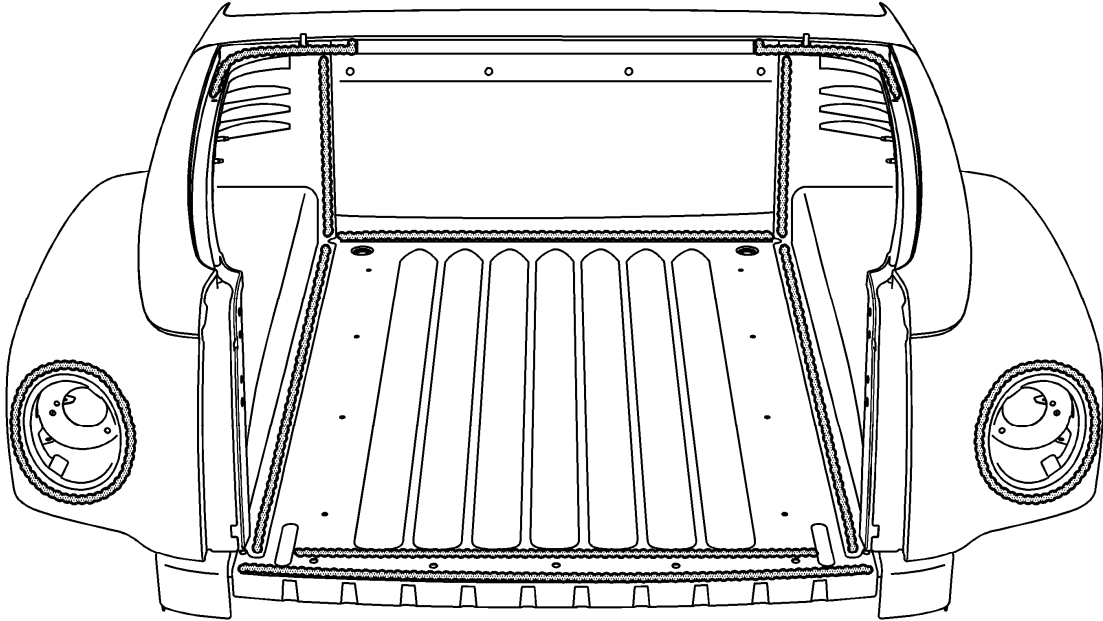
The shaded areas in this illustration indicate the location of the structural adhesive applied to these body parts.

## Motor Compartment



The shaded areas in this illustration indicate the location of the structural adhesive applied to these body parts.

## Rear Compartment



The shaded areas in this illustration indicate the location of the structural adhesive applied to these body parts.