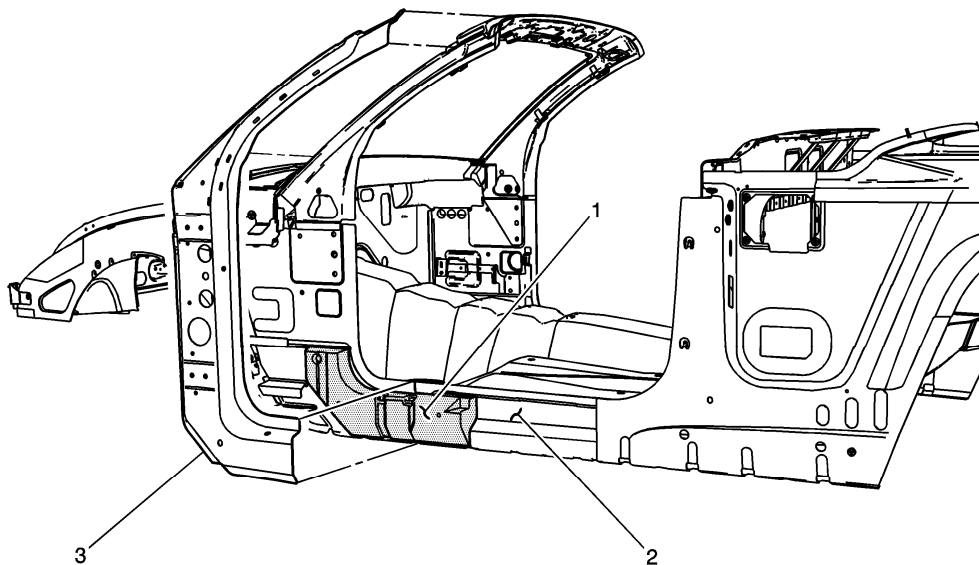


# Structure Foam Identification

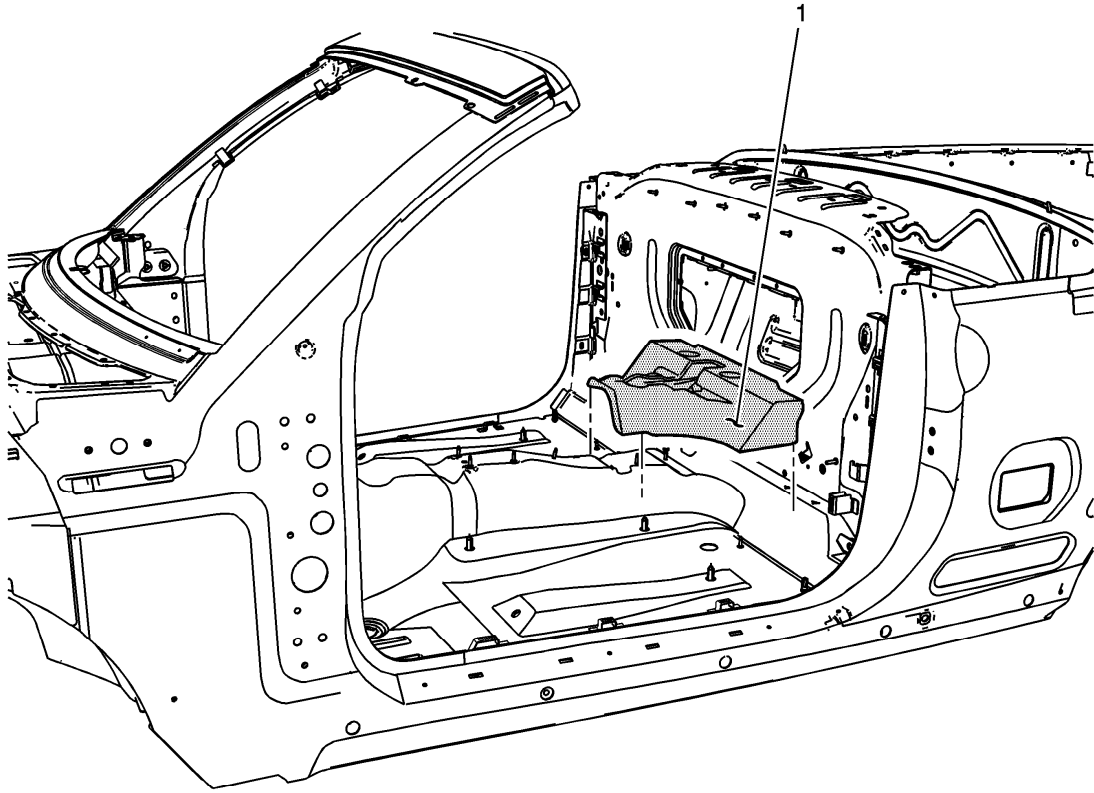
**FIGURE Rocker Panel Area(c)**



- (1) Structural Foam
- (2) Inner Rocker
- (3) Inner Hinge Pillar Reinforcement

Structural foam (1) is located between the inner rocker (2) and the inner hinge pillar reinforcements (3) on both the right and the left side of the vehicle. Precast structural foam replacement blocks are available if necessary, and can be ordered separately. Refer to [Structure Foam Replacement](#) .

**FIGURE Passenger Compartment Floor Area(c)**



**(1) Structural Foam**

Structural foam (1) in the shape of the letter "T" is located in the rear portion of the passenger compartment floor, between the outer floor panel and the floor doubler.