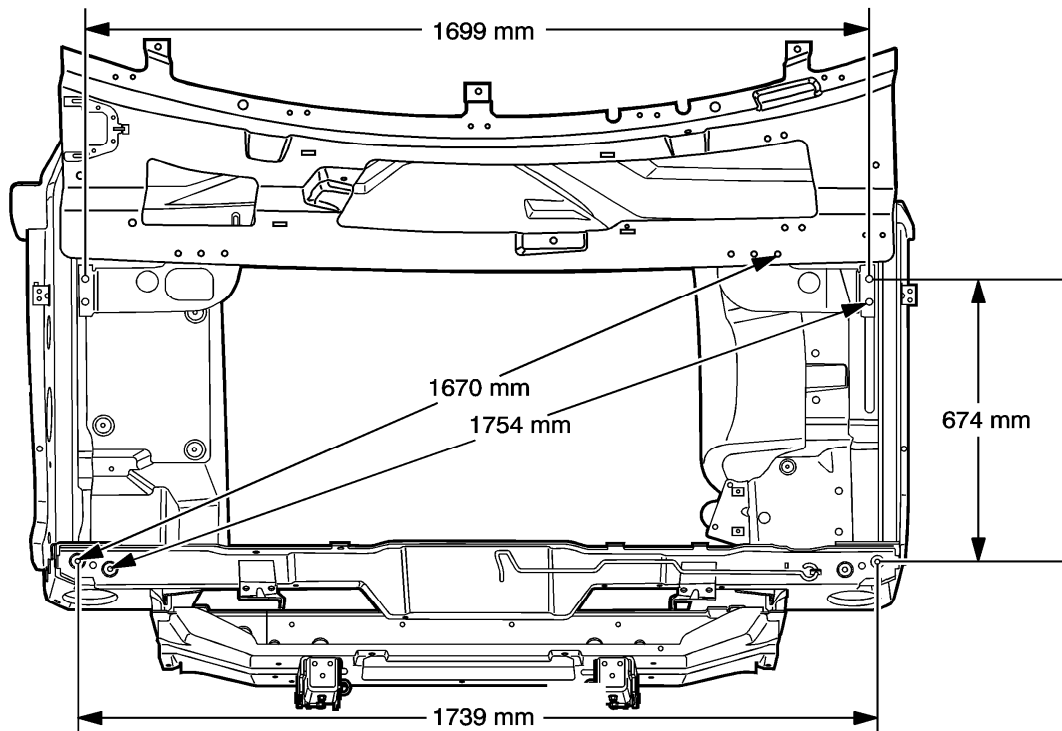


Dimensions - Body

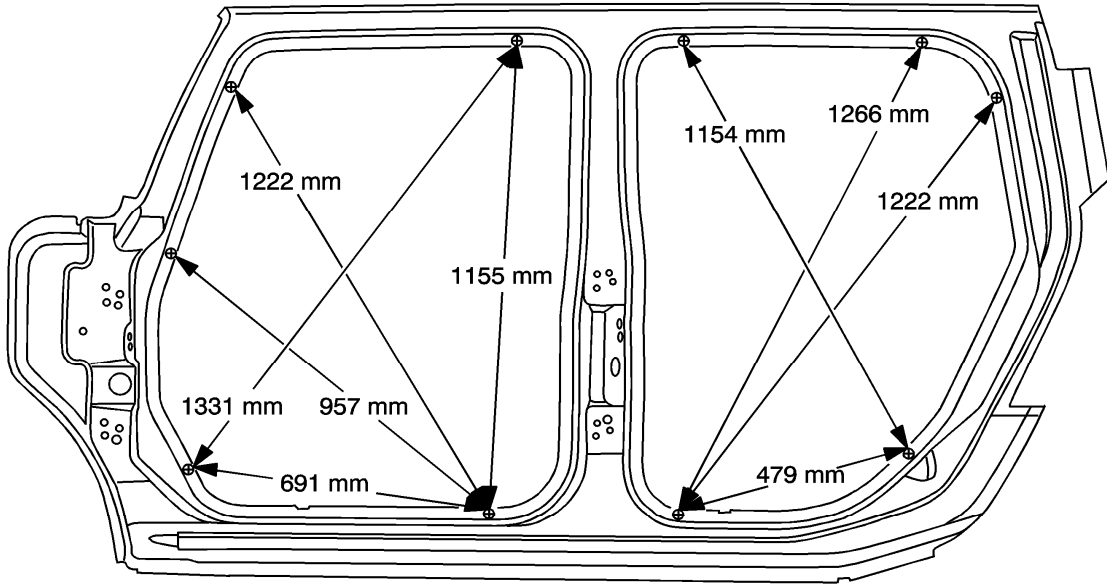
Point-to-Point Measurements

Point-to-Point Measurements are for reference only. All measurements are given in millimeters. Use these measurements for diagnosing and estimating. Point-to-point measurements are duplicated with tram bar pointers set at equal lengths. All die marks, holes, slots, and fasteners are measured to the center. All dimensions are symmetrical unless otherwise specified.

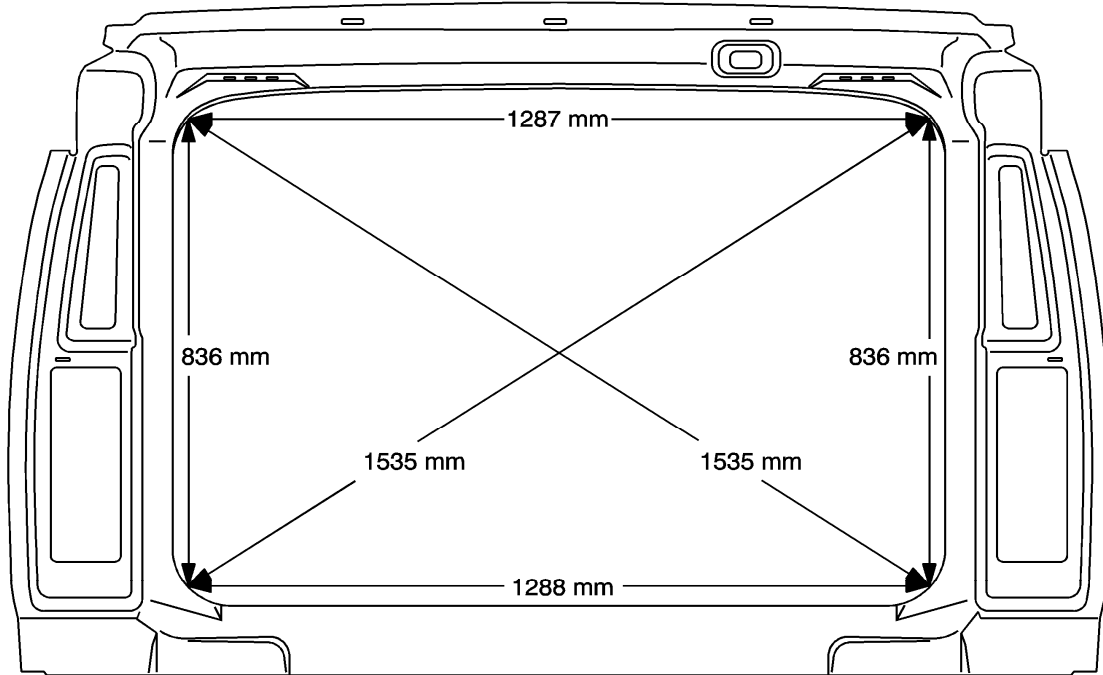
Engine Compartment Dimensions



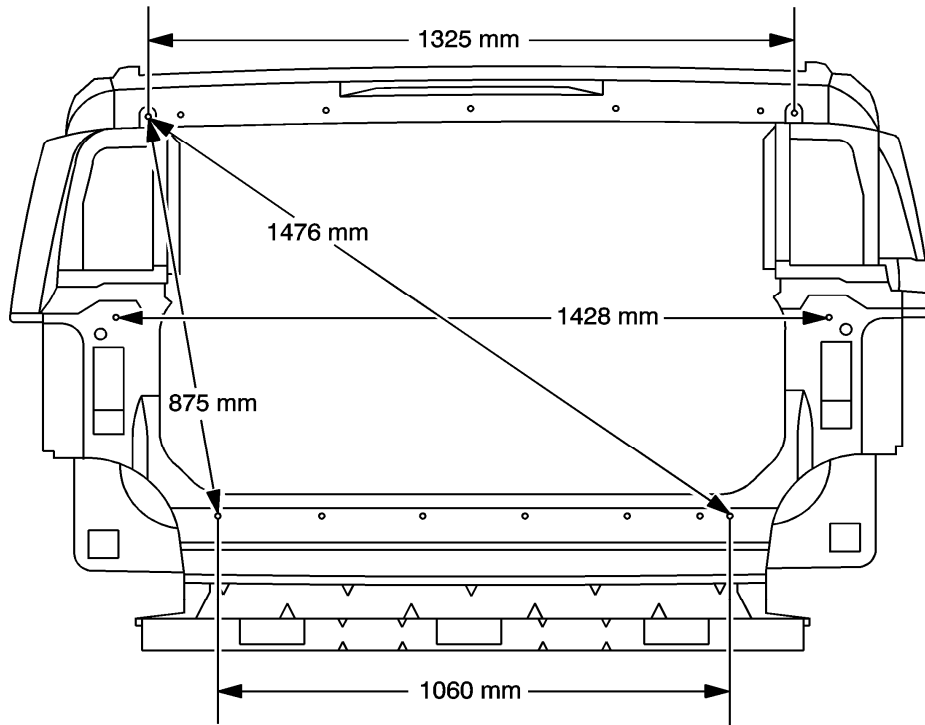
Body Side Dimensions



Rear Door Opening Dimensions



SUT Midgate Dimensions



SUT Cargo Area Dimensions

