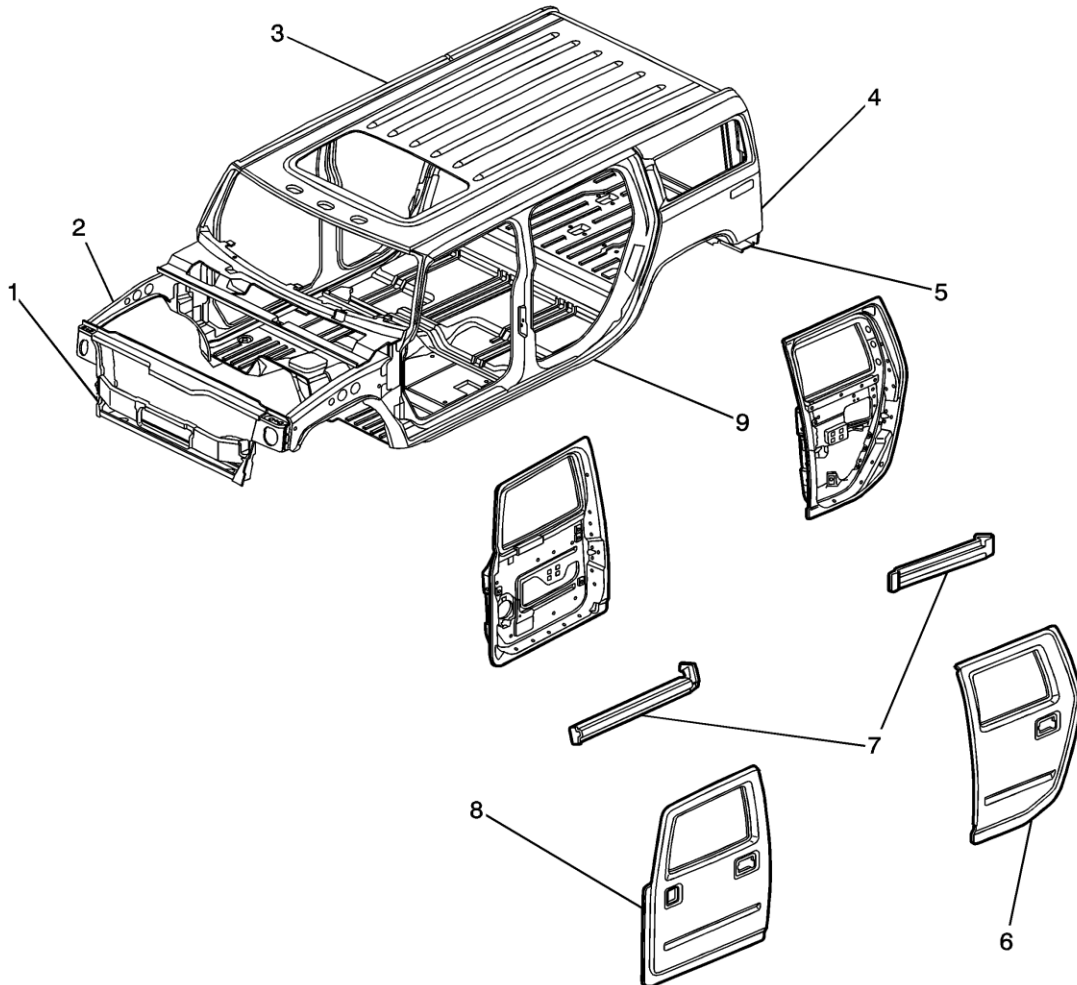


## Structure Identification (SUV)



Number	Description	Material	Procedure
1	Radiator Lower Support	<a href="#">Mild Steel</a>	<a href="#">Radiator Lower Support Replacement</a>
2	Front Compartment Upper Side Rail	<a href="#">Mild Steel</a>	<a href="#">Upper Rail Replacement</a>
3	Roof Outer Panel	<a href="#">Mild Steel</a>	<a href="#">Roof Outer Replacement</a>
4	Quarter Inner Panel	<a href="#">Mild Steel</a>	<a href="#">Quarter Inner Panel Replacement</a>
5	Quarter Outer Panel	<a href="#">Mild Steel</a>	<a href="#">Quarter Outer Panel</a>

			<a href="#">Replacement</a>
			<a href="#">Quarter Panel Sectioning</a>
6	Rear Outer Door	<a href="#">Mild Steel</a>	<a href="#">Rear Side Door Outer Panel Replacement</a>
7	Door Inner Reinforcement Beam	<a href="#">Ultra High Strength Steel</a>	<a href="#">Not Serviced</a>
8	Front Outer Door Panel	<a href="#">Mild Steel</a>	<a href="#">Front Side Door Outer Panel Replacement</a>
9	Outer Bodyside Panel	<a href="#">Mild Steel</a>	<a href="#">Rocker Panel Sectioning</a> <a href="#">Front Hinge Pillar Sectioning</a> <a href="#">Center Pillar Sectioning</a> <a href="#">Rear Pillar Sectioning</a> <a href="#">Outer Door Frame Sectioning - Windshield Pillar</a>