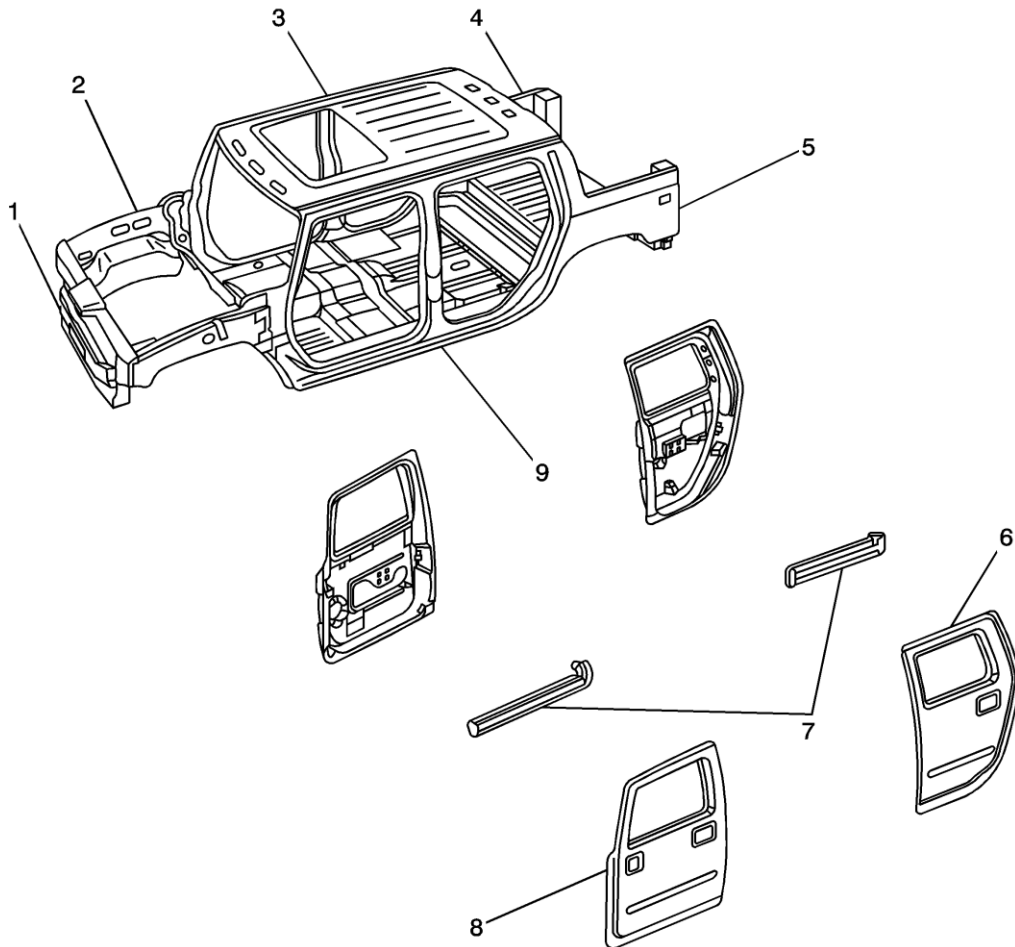


Structure Identification (SUT)



Number	Description	Material	Procedure
1	Radiator Lower Support	Mild Steel	Radiator Lower Support Replacement
2	Front Compartment Upper Side Rail	Mild Steel	Upper Rail Replacement
3	Roof Outer Panel	Mild Steel	Roof Outer Replacement
4	Quarter Inner Panel	Mild Steel	Quarter Inner Panel Replacement
5	Quarter Outer Panel	Mild Steel	Quarter Outer Panel

			Replacement
			Quarter Panel Sectioning
6	Rear Outer Door	Mild Steel	Rear Side Door Outer Panel Replacement
7	Door Inner Reinforcement Beam	Ultra High Strength Steel	Not Serviced
8	Front Outer Door Panel	Mild Steel	Front Side Door Outer Panel Replacement
9	Outer Bodyside Panel	Mild Steel	Rocker Panel Sectioning Front Hinge Pillar Sectioning Center Pillar Sectioning Rear Pillar Sectioning Outer Door Frame Sectioning - Windshield Pillar