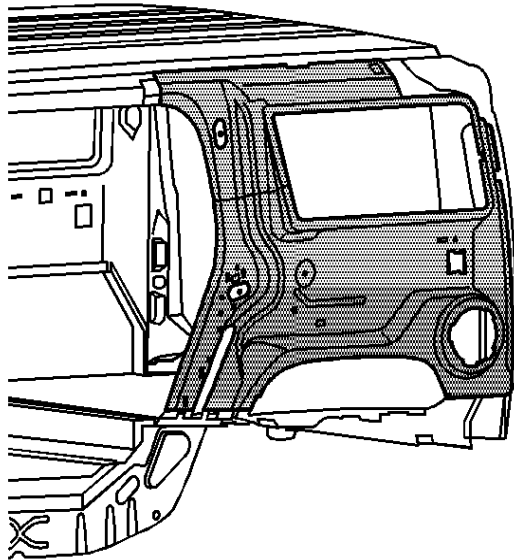


Quarter Inner Panel Replacement (SUV)

Caution: Refer to [Approved Equipment for Collision Repair Caution](#) in Cautions and Notices.

Important: When replacing panels that involve servicing of stationary glass, refer to service bulletin 431045 before performing any priming or refinishing.

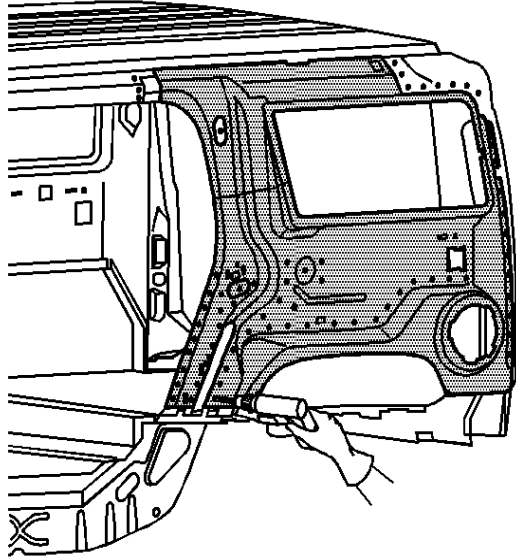
1. Disable the SIR system. Refer to [SIR Disabling and Enabling](#).
2. Disconnect the negative battery cable. Refer to [Battery Negative Cable Disconnection and Connection](#).



3. Remove all related panels and components.
4. Restore as much of the damage as possible to factory specifications. Refer to [Dimensions - Body](#).

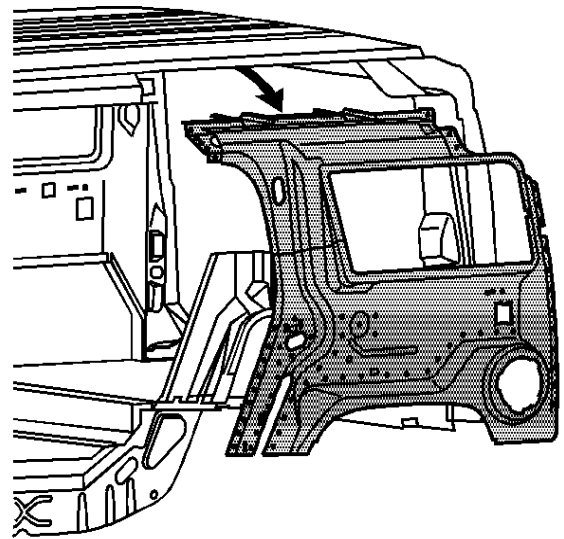
Caution: Refer to [Foam Sound Deadeners Caution](#) in Cautions and Notices.

5. Note the location and remove the sealers and anti-corrosion materials from the repair area, as necessary. Refer to [Anti-Corrosion Treatment and Repair](#).



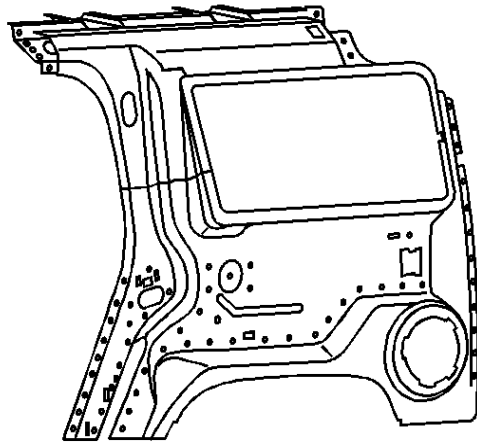
Important: Do not damage any inner panels or reinforcements.

6. Locate and drill out all factory welds. Note the number and location of the welds for installations of the inner quarter assembly.



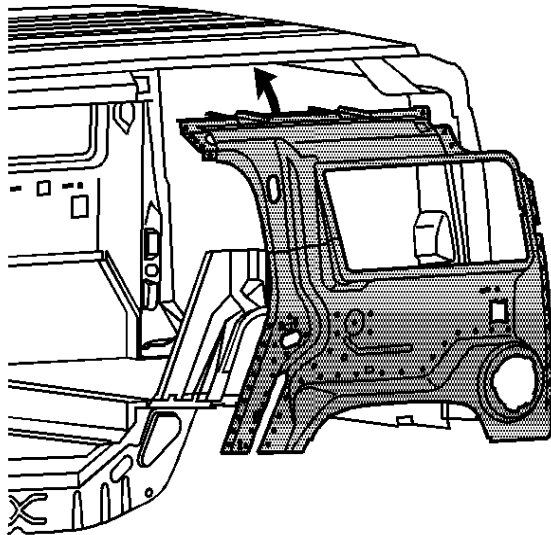
7. Remove the damaged inner quarter assembly.

Installation Procedure



Important: In any area damaged beyond recognition, or if structural weld thru adhesive is present, space the plug weld holes 40 mm (1½ in) apart.

1. Drill 8 mm (5/16 in) plug weld holes in the service part as necessary in the locations noted from the original panel and along the sectioning cut.
2. Prepare all attachment surfaces as necessary.



3. Apply GM-approved weld thru coating or equivalent to all mating surfaces. Refer to [Anti-Corrosion Treatment and Repair](#).
4. Position the inner quarter assembly.

Important: Filler, rear wheelhouse panel must be welded to the reinforcement assemble spare wheel carrier and the plate driver seat shoulder belt.

5. Plug weld accordingly.
 6. Clean and prepare all welded surfaces.
 7. Apply the sealers and anti-corrosion materials to the repair area, as necessary. Refer to [Anti-Corrosion Treatment and Repair](#).
 8. Paint and repair the area. Refer to [Basecoat/Clearcoat Paint Systems](#).
 9. Install all related panels and components.
 10. Connect the negative battery cable. Refer to [Battery Negative Cable Disconnection and Connection](#).
 11. Enable the SIR system. Refer to [SIR Disabling and Enabling](#).
-