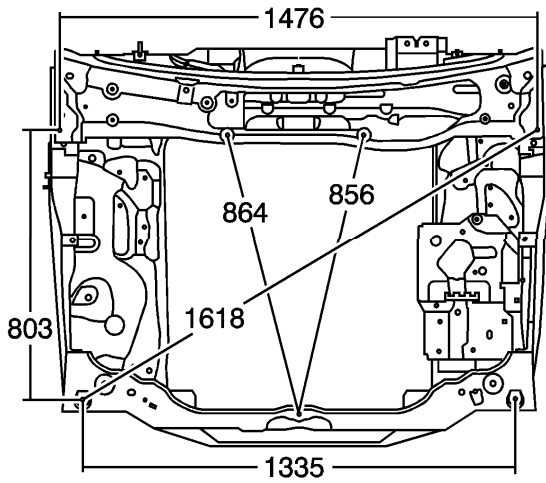
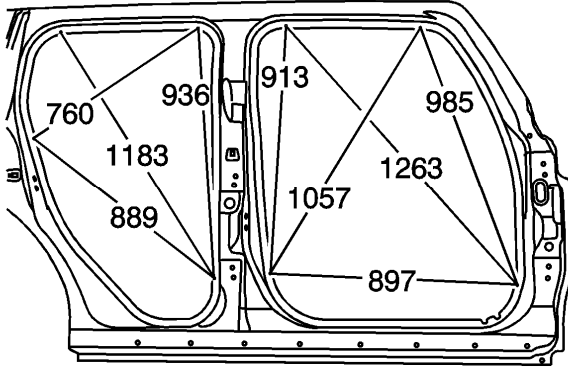


Dimensions - Body

[Engine Compartment Point to Point Measurements](#)



Body Side Door Opening Dimensions



Rear Door Opening Dimensions

